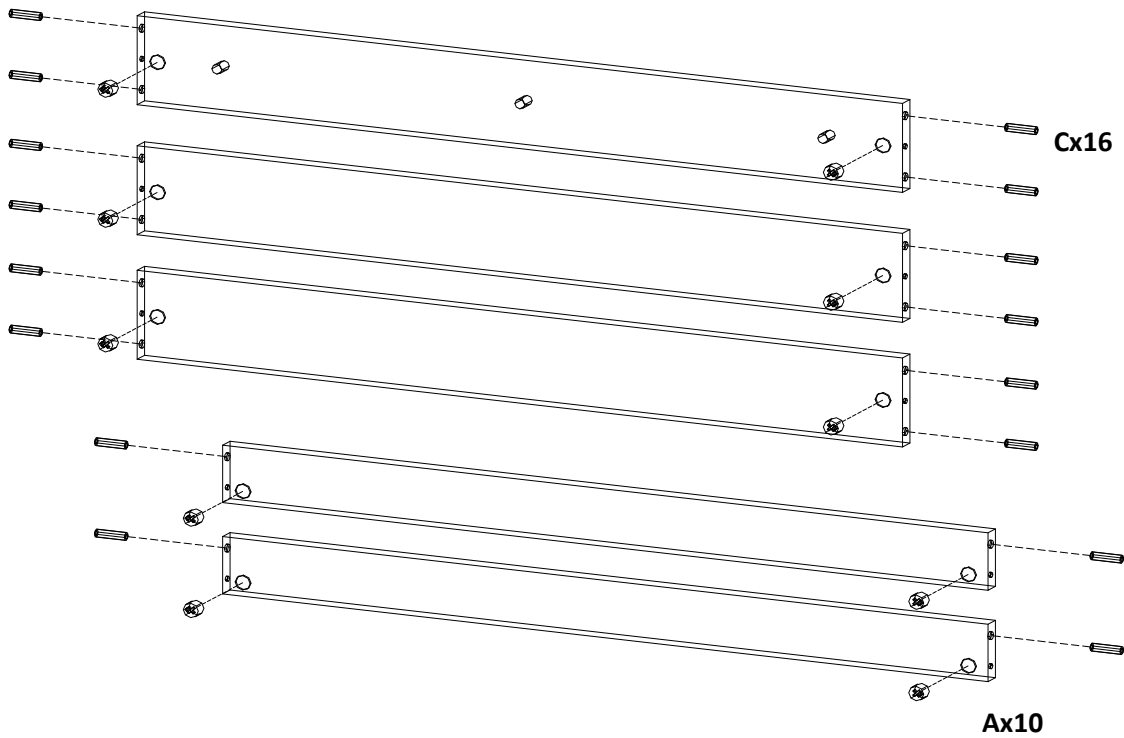
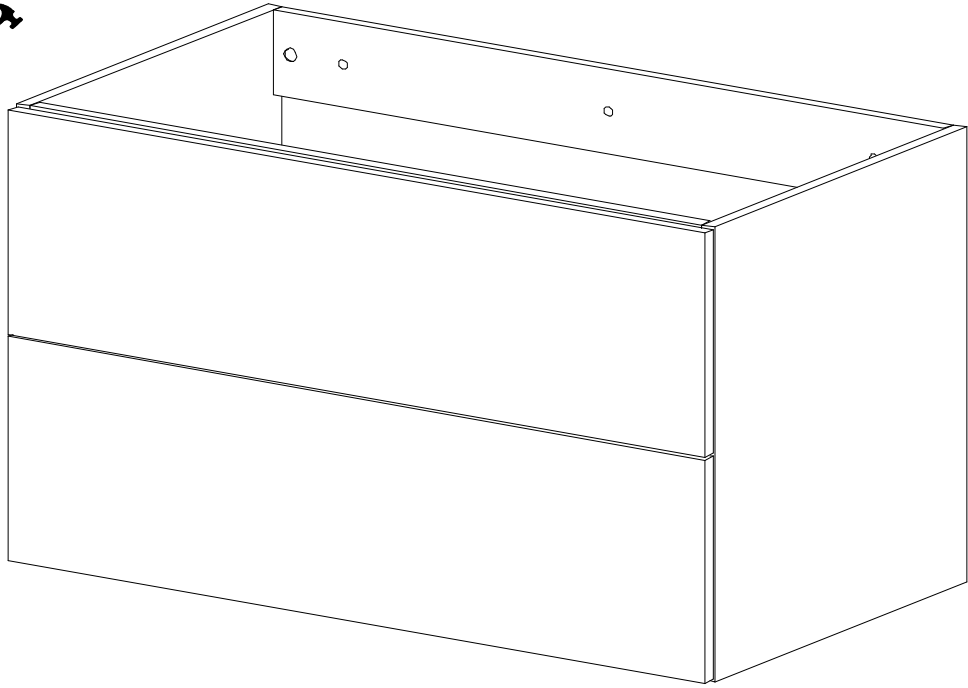











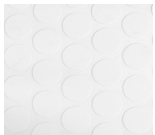
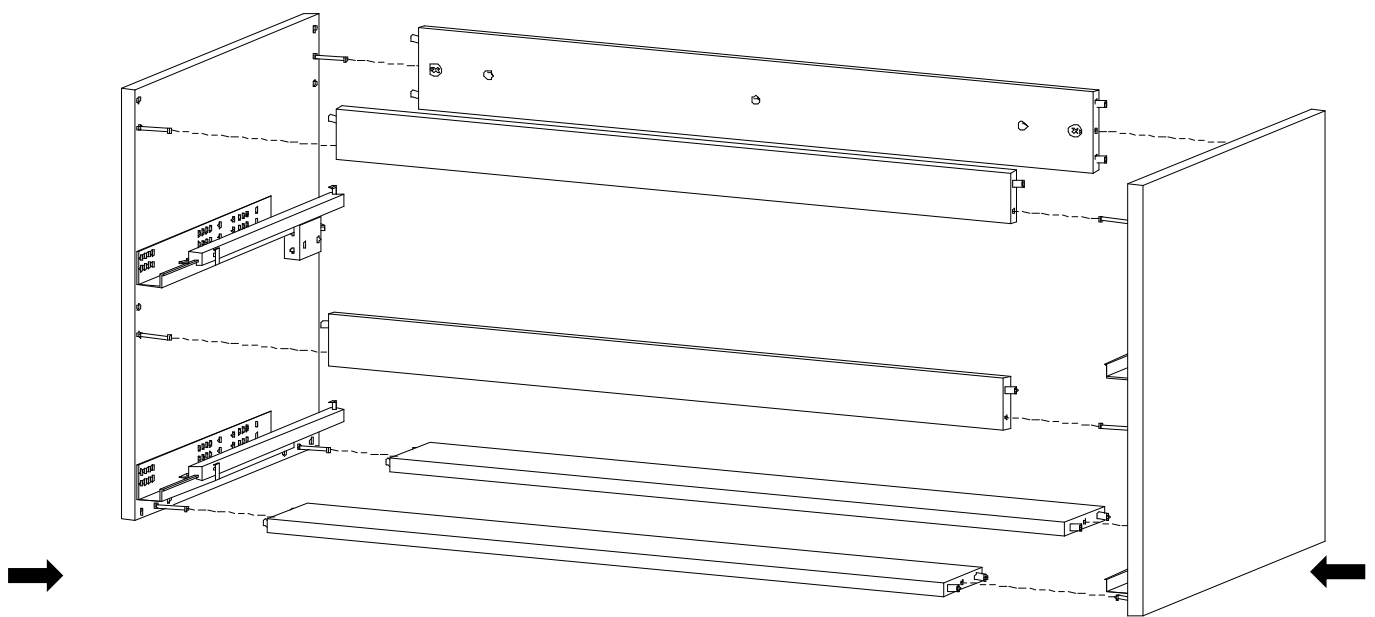
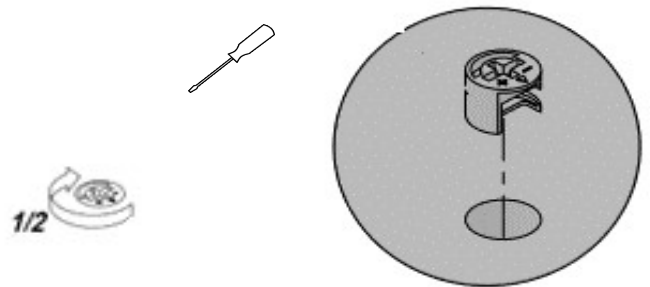
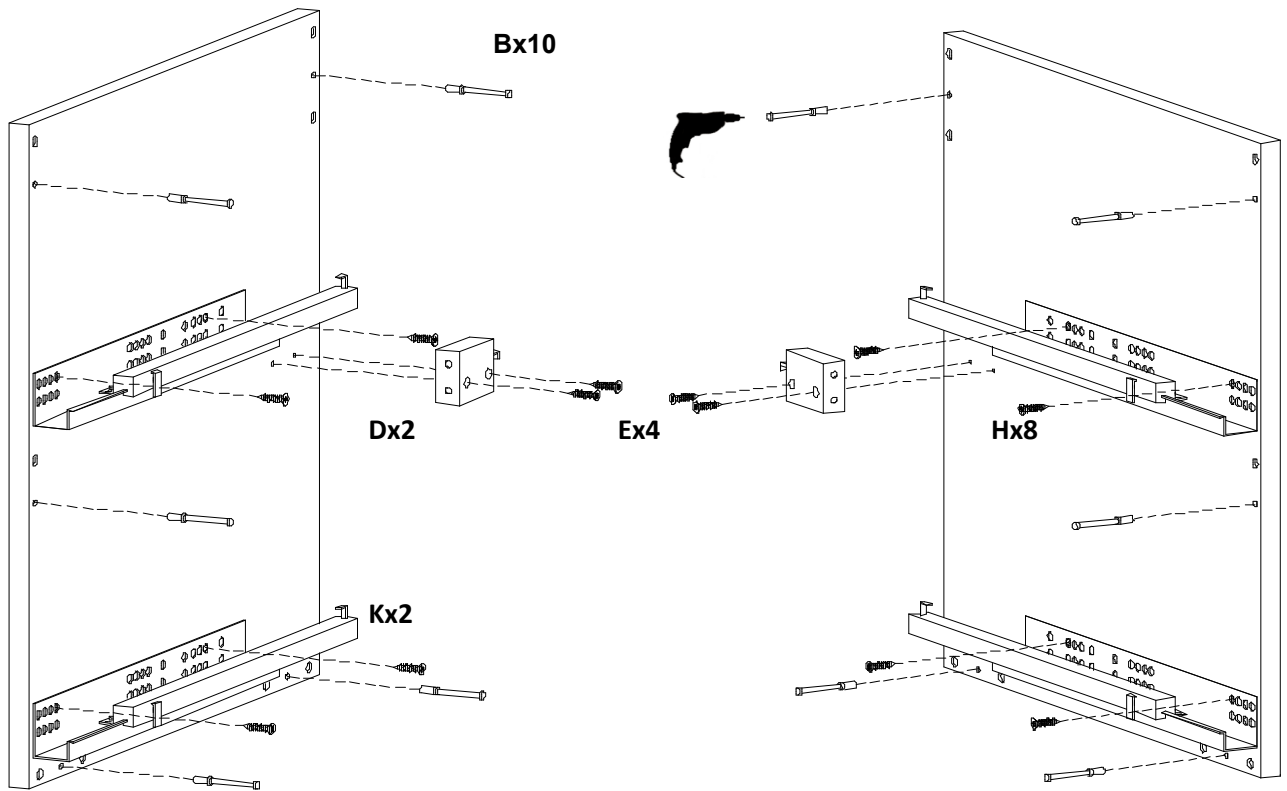
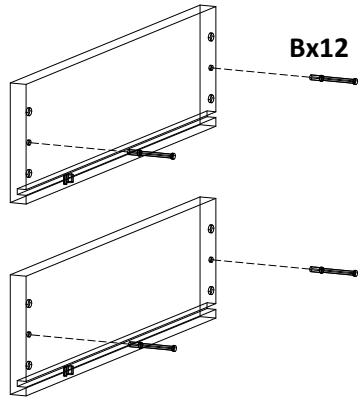


1.

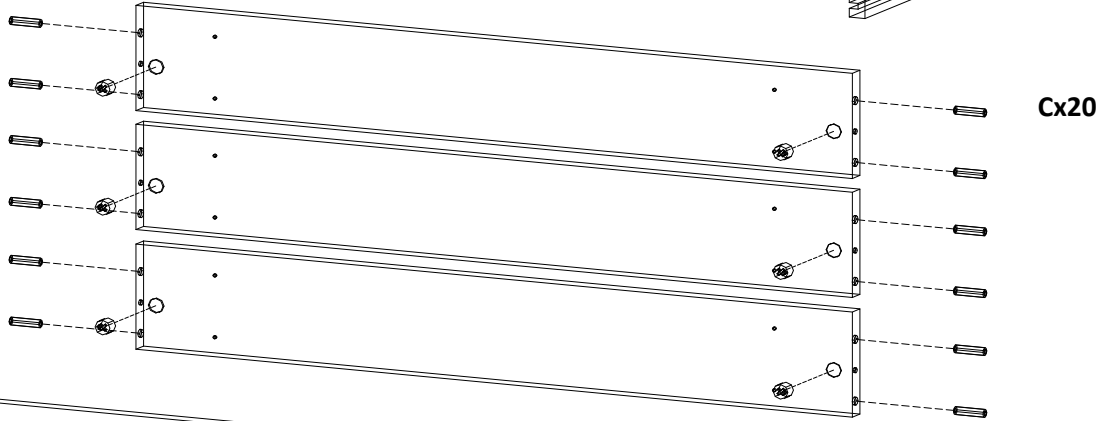
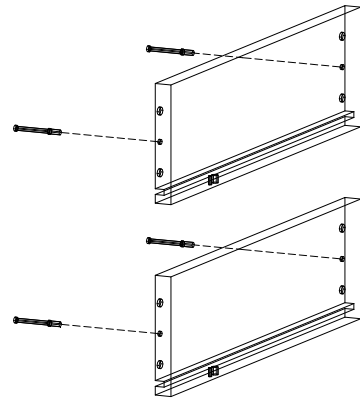


<p>A x22 (x26)</p> 	<p>B x22 (x26)</p> 	<p>C x36 (x42)</p> 	<p>D x2</p> 	<p>E 4x30 x12</p> 	<p>F 3,5x30 x4</p> 
<p>G x40</p> 	<p>H x8</p> 	<p>I x2</p> 	<p>J x3</p> 	<p>K x2</p> 	<p>L x10</p> 

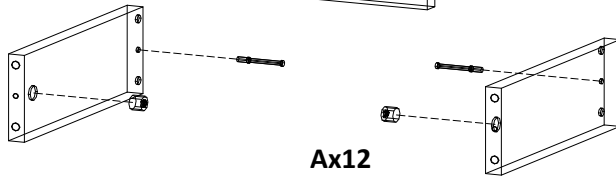
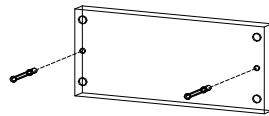
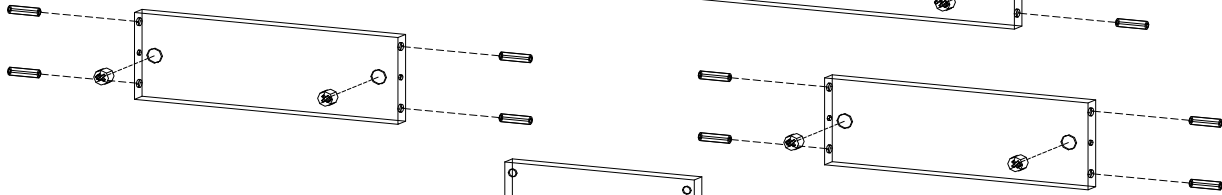




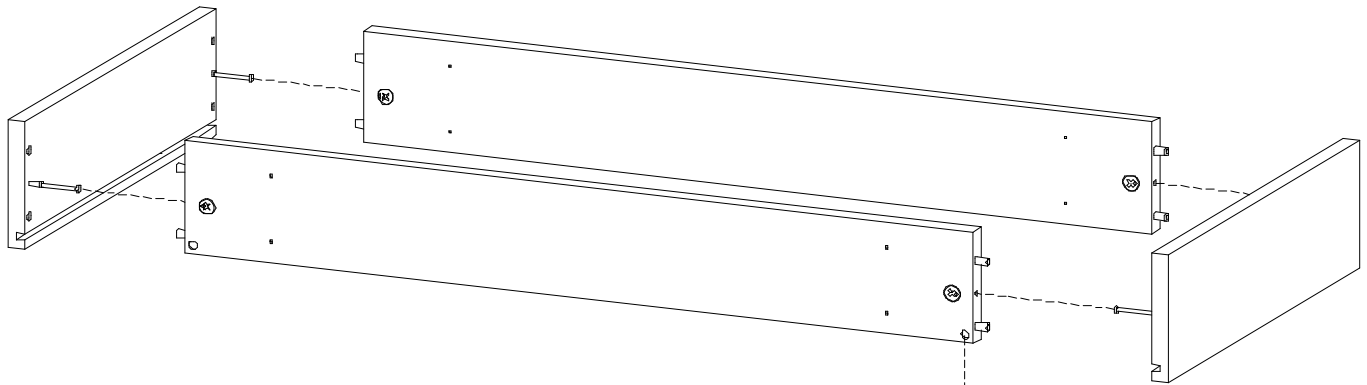
Bx12



Cx20

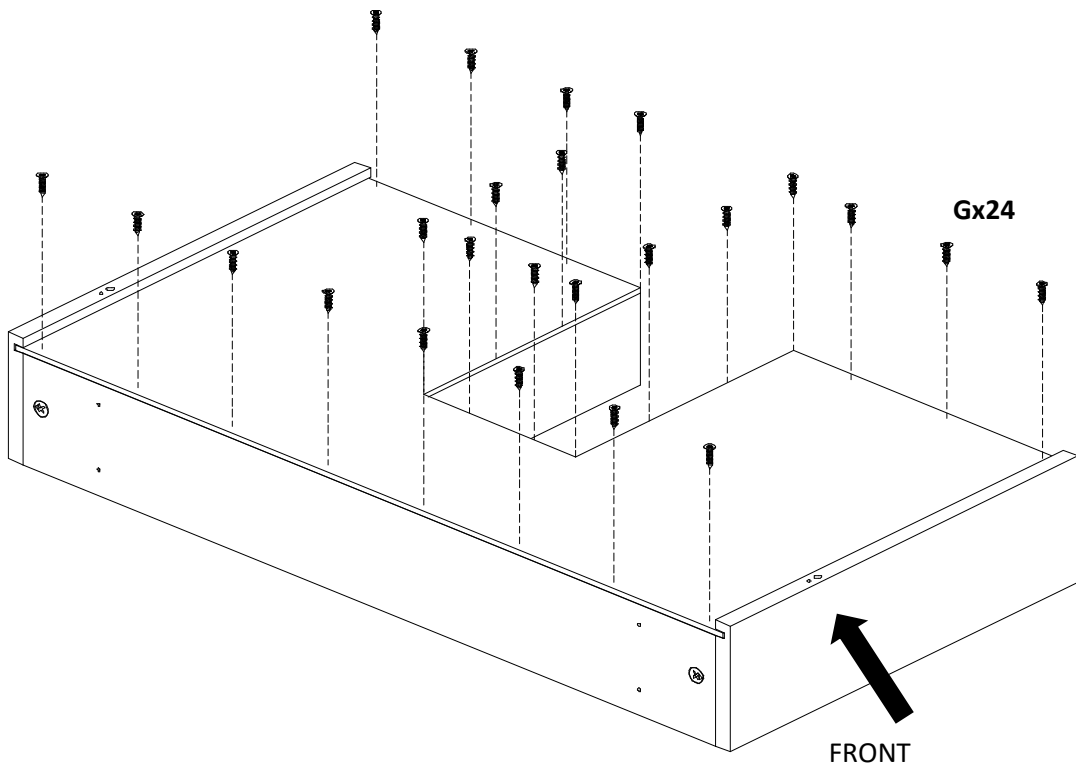
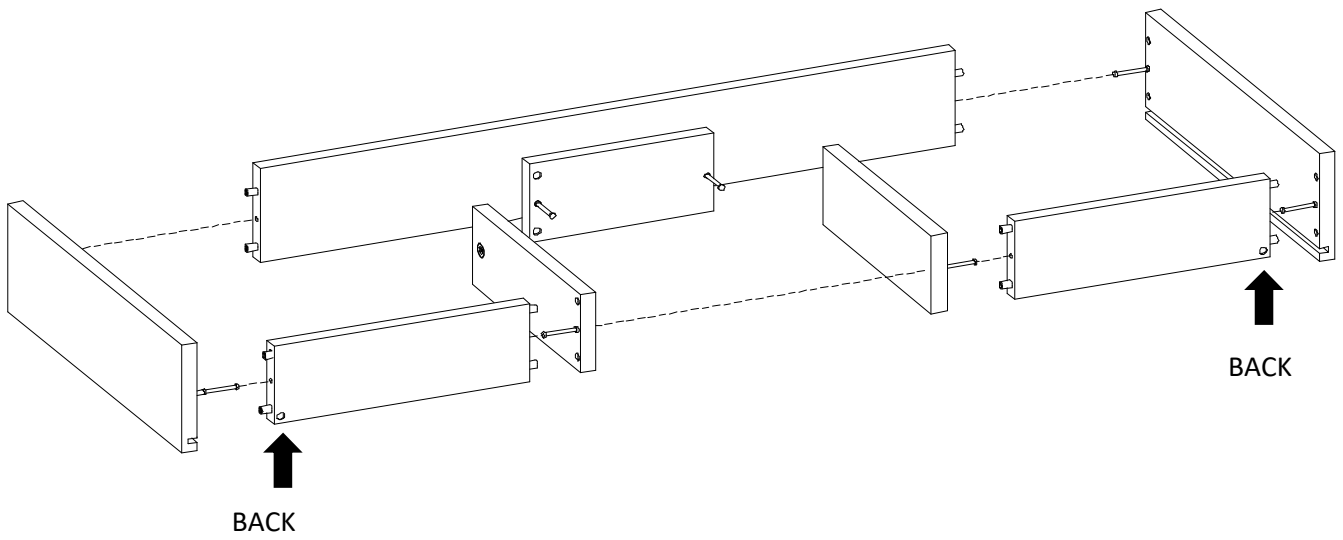
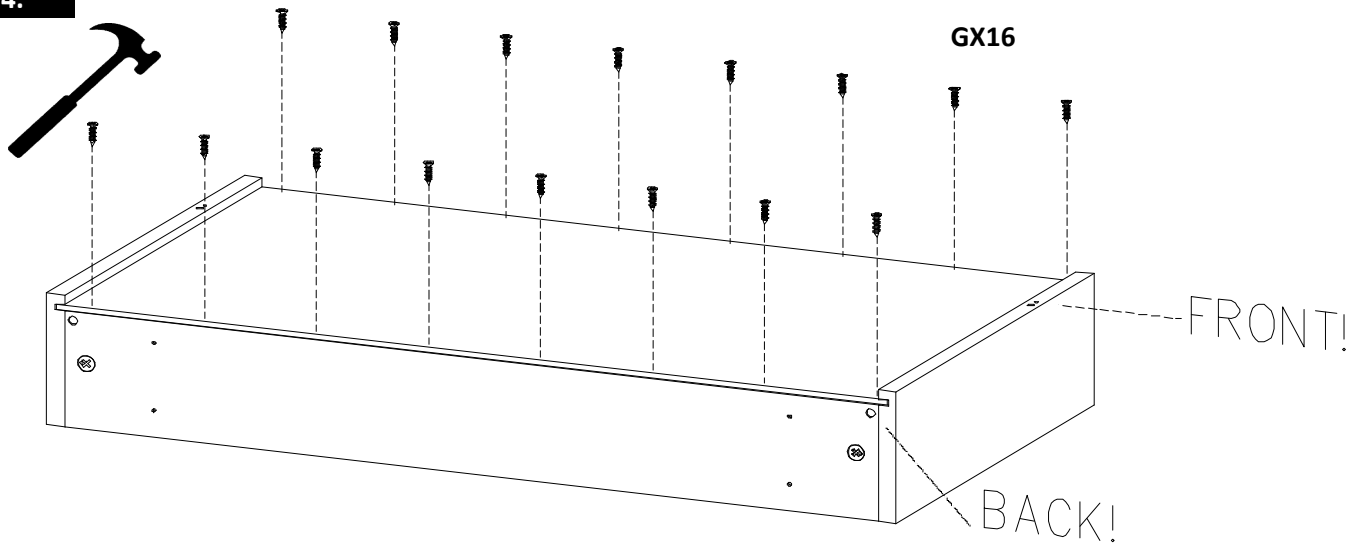


Ax12

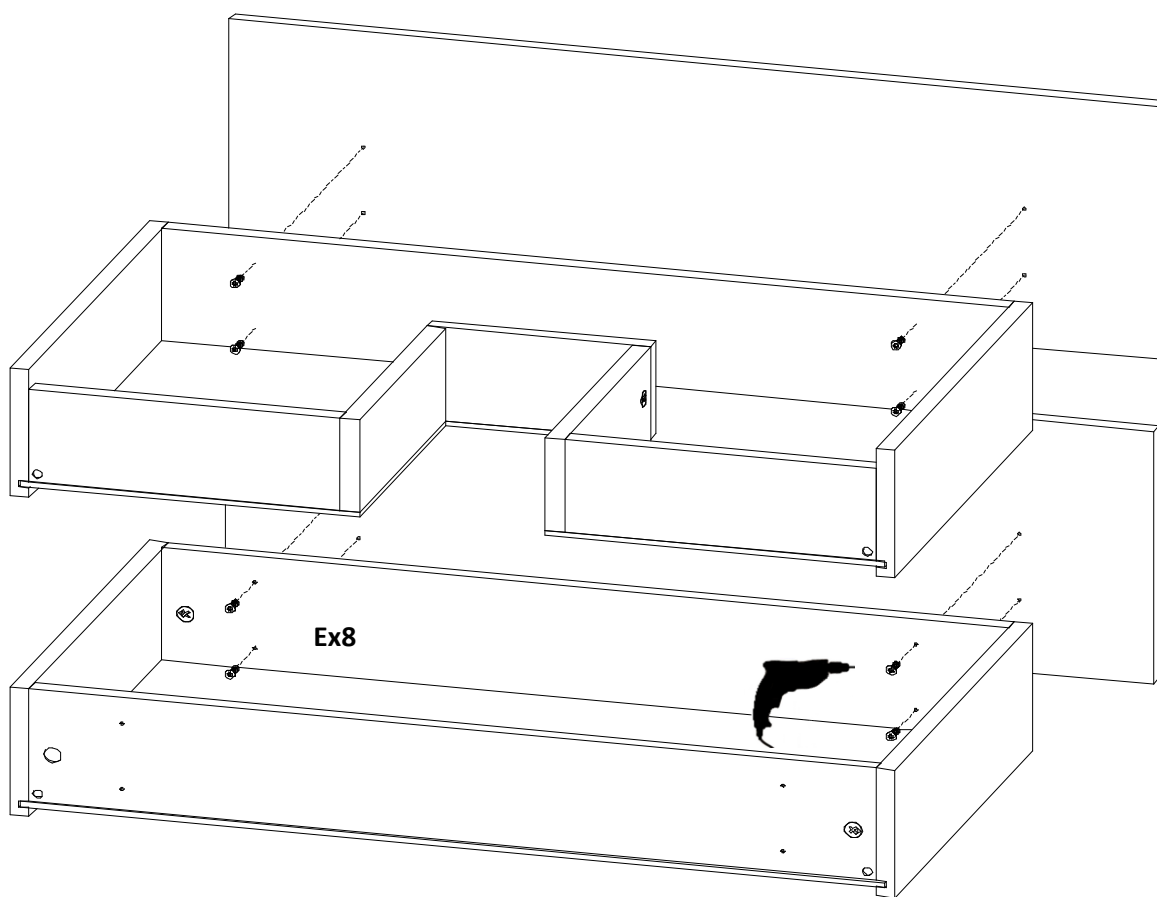
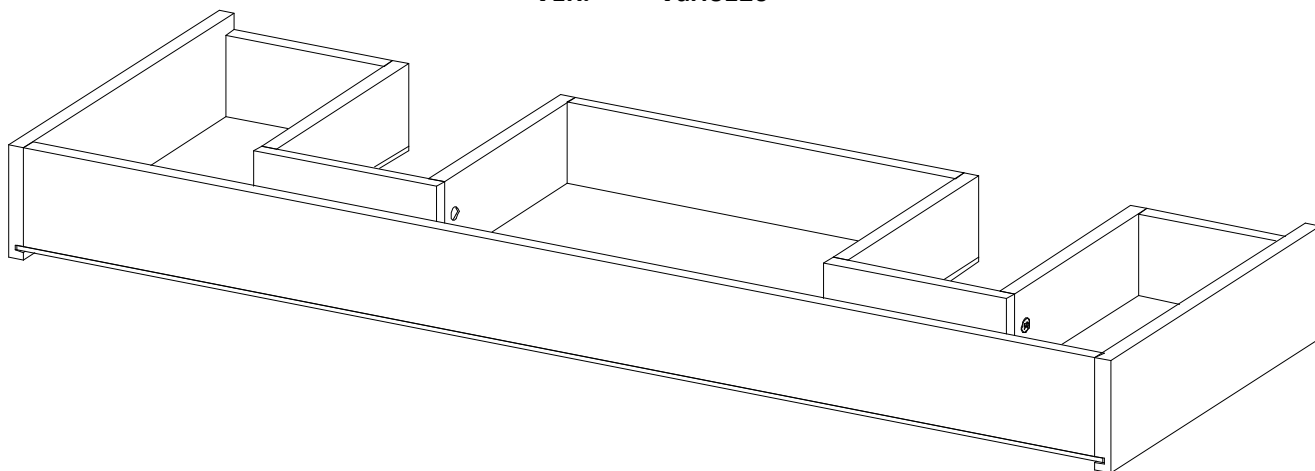


BACK!

4.

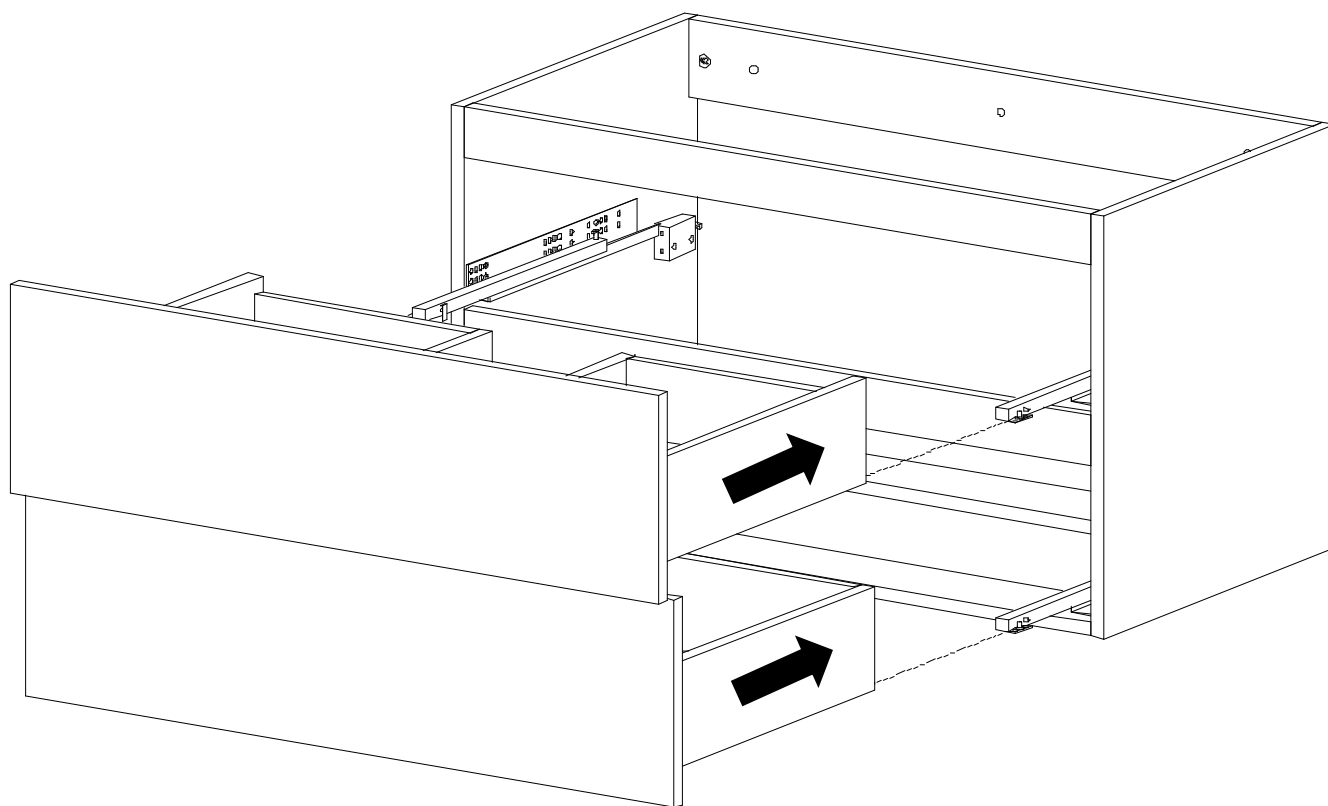
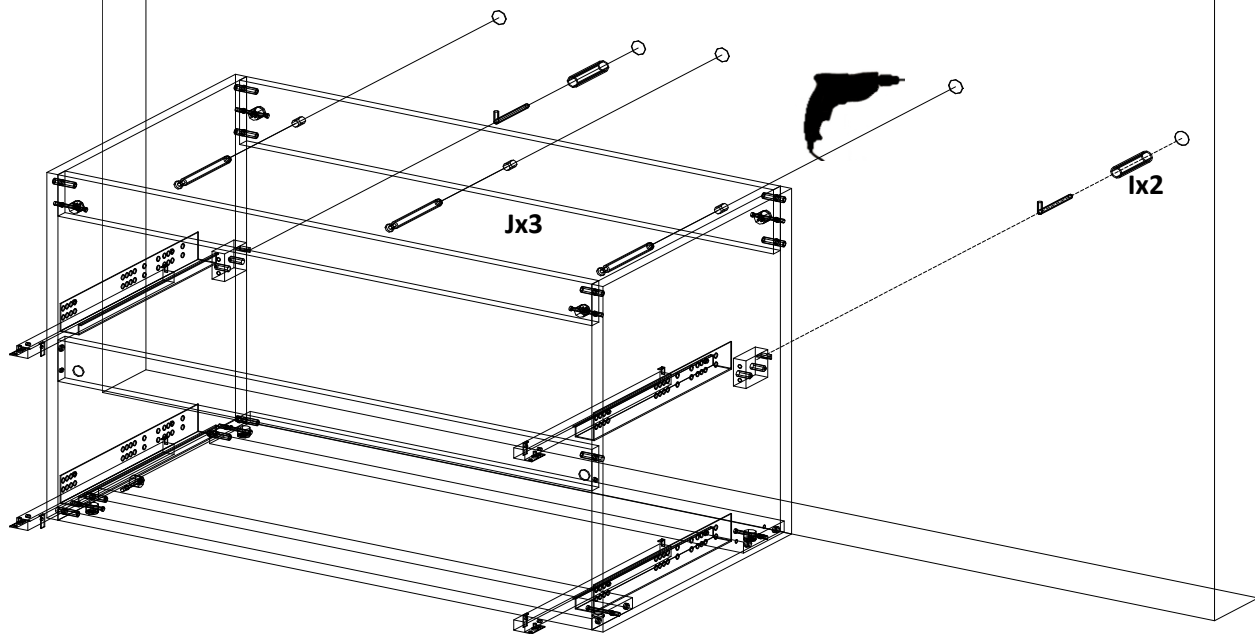


VER. Vario120

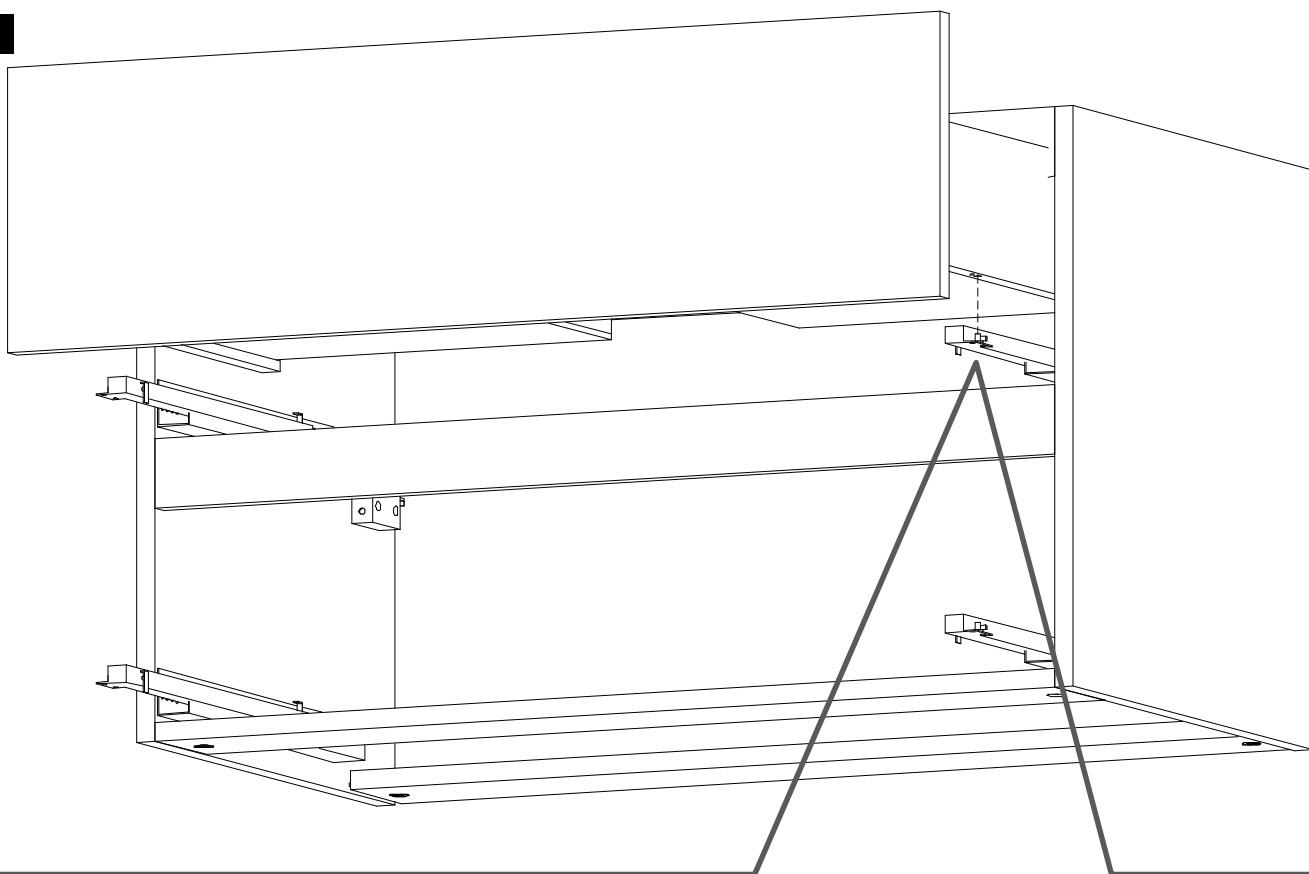


Ex8

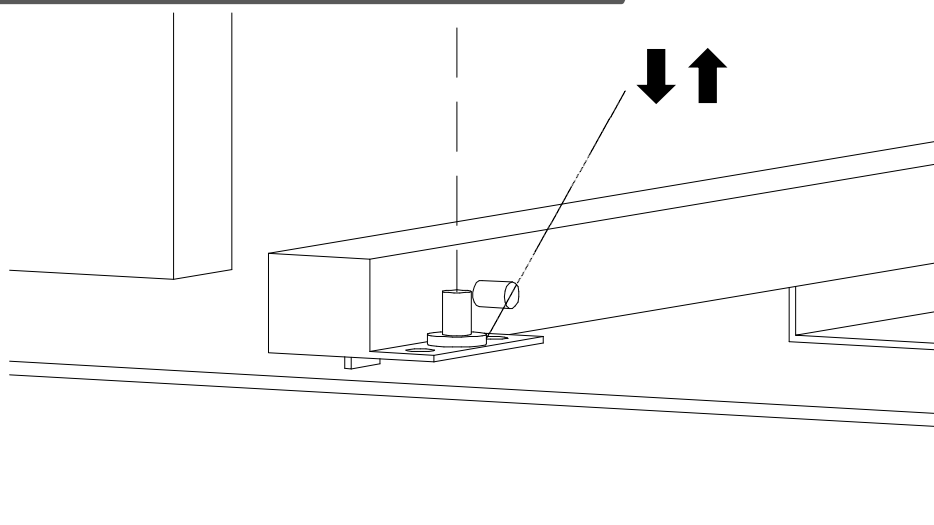
6.



7.



1.



2.

