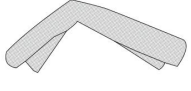


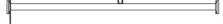
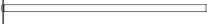









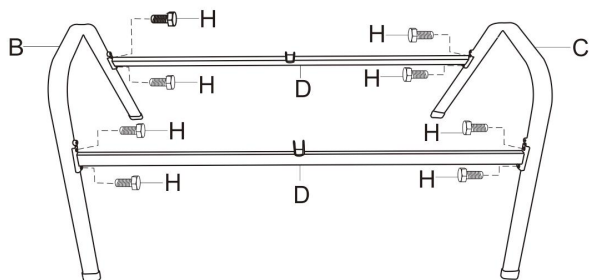
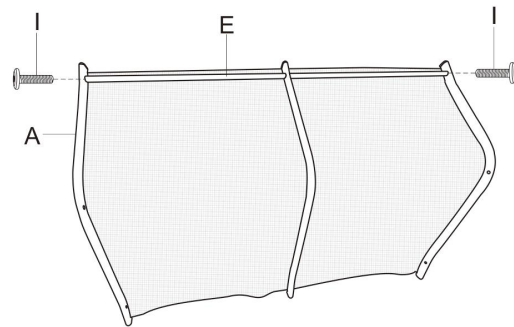


A		B		C		D	
	1		1		1		2
E		F	 M6X50mm	G	 M6X30mm	H	 M6X12mm
	1		4		2		8
I		J		K		L	
	2		2		6		1
M		N					
	1		1				

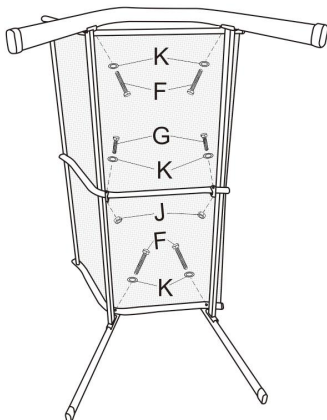
①



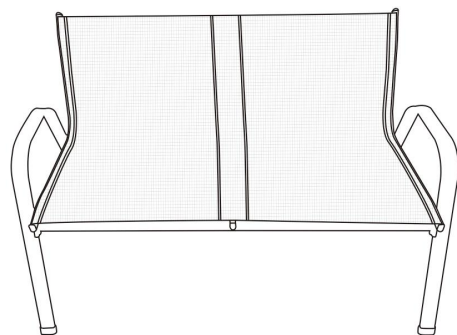
②













③

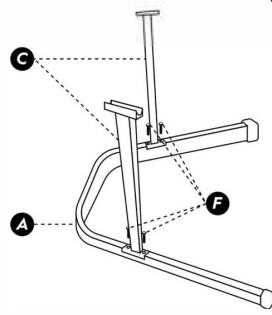


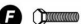
④




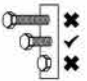
A  x1	B  x1	C  x2	D  x1	E  x1
F M6*20  x8	G M6*35  x4	H  x1	I  x2	J  x1

1

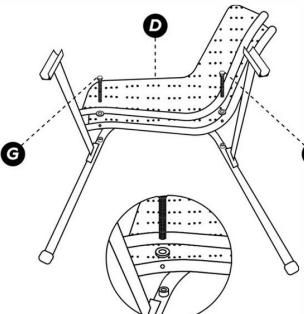



F 

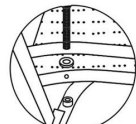
G 



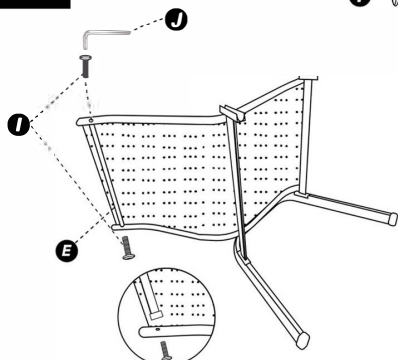
2





G 




3

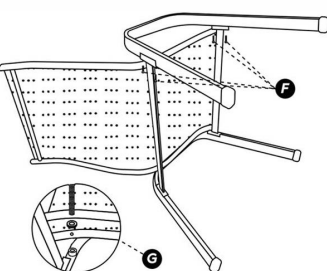



I 


J 

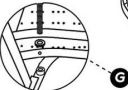


4

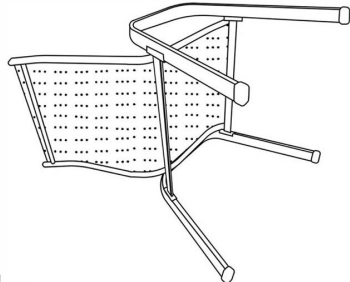
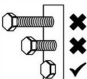


G 

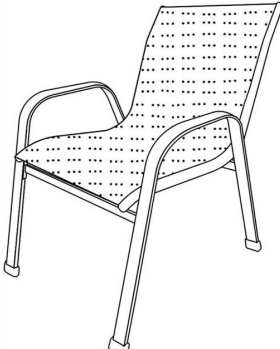
F 

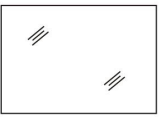

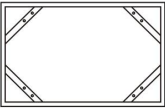



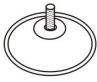


5

6



A		B		C		D	
	1		2		1		4
E		F		G			
	8		8		4		

