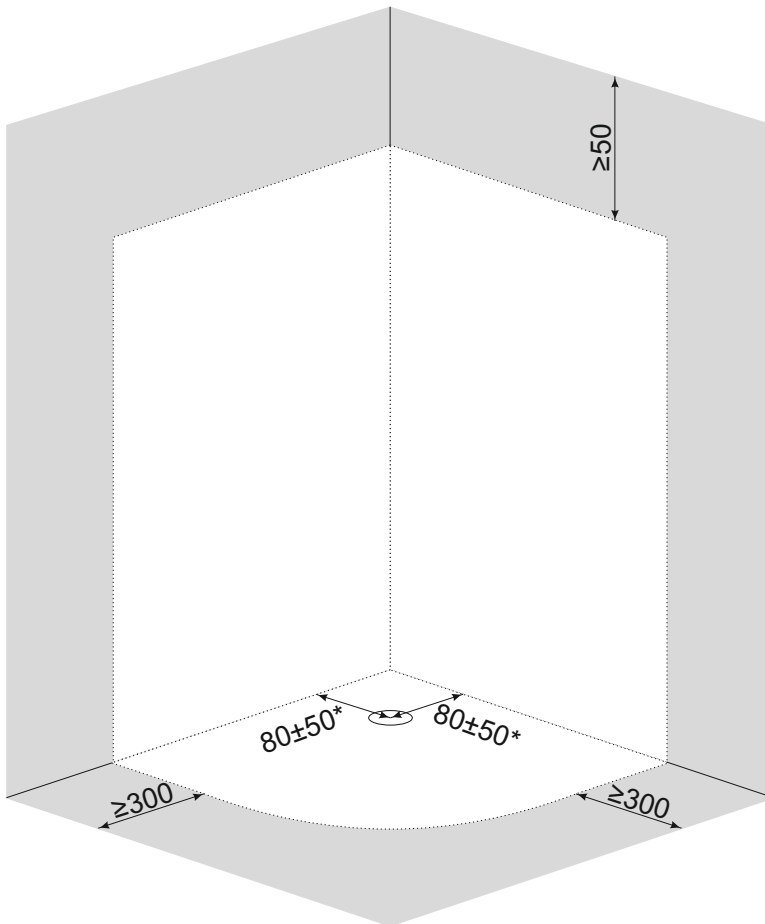
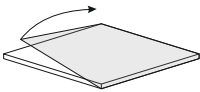
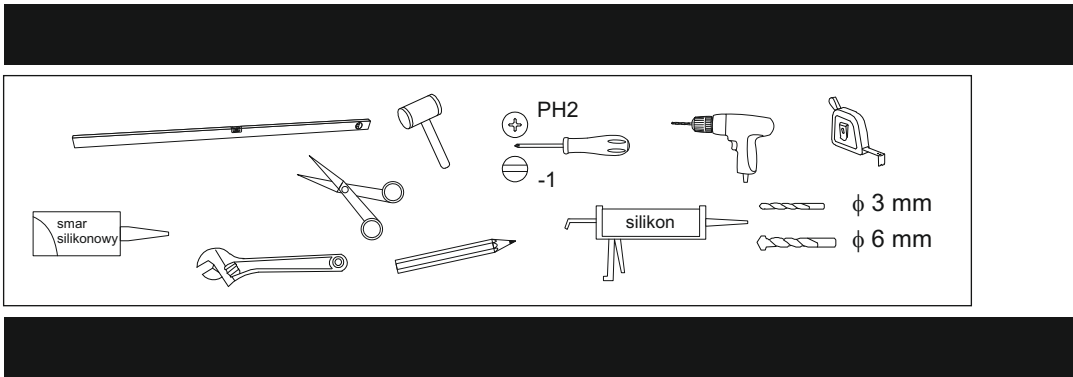
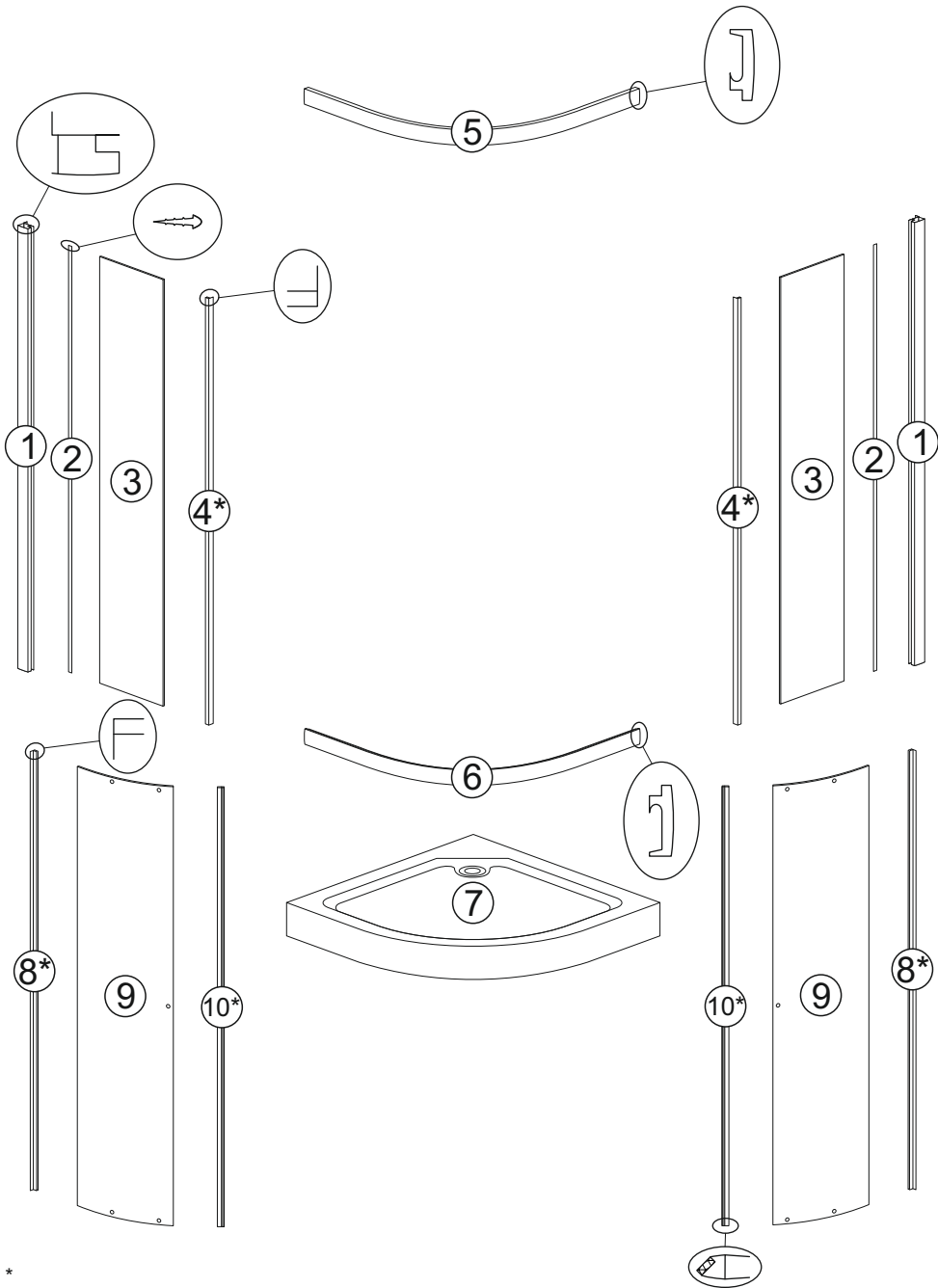


Rys. 1

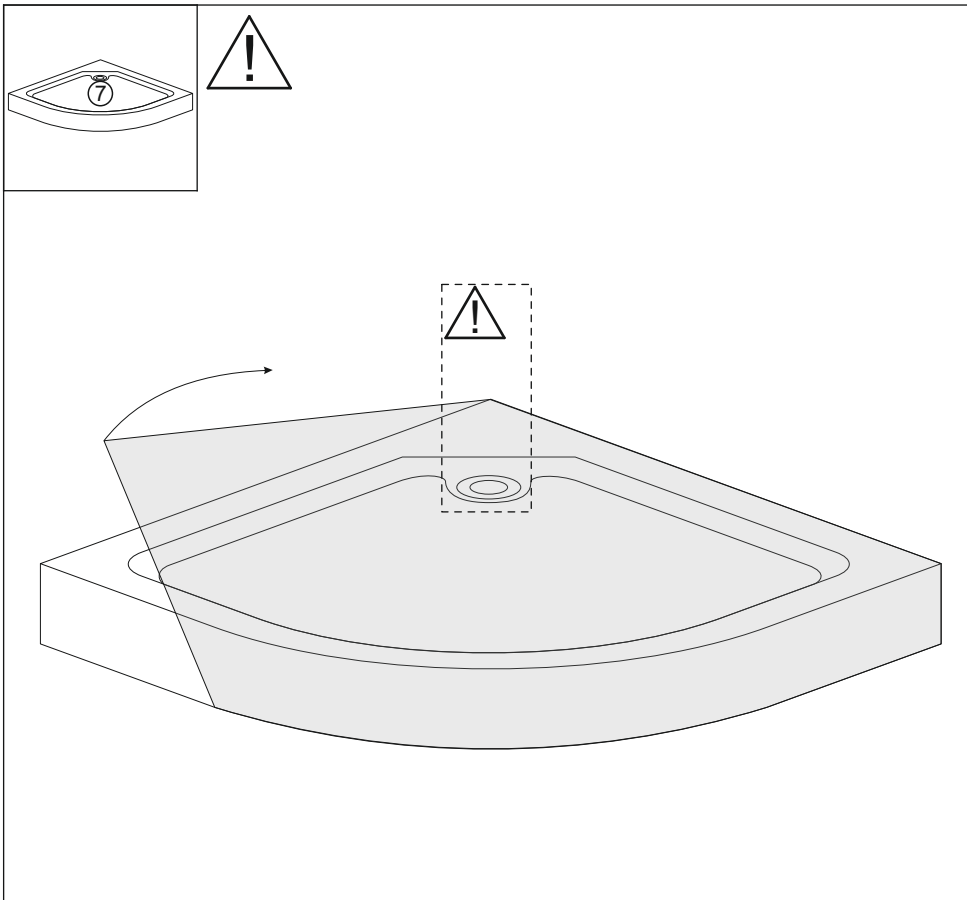
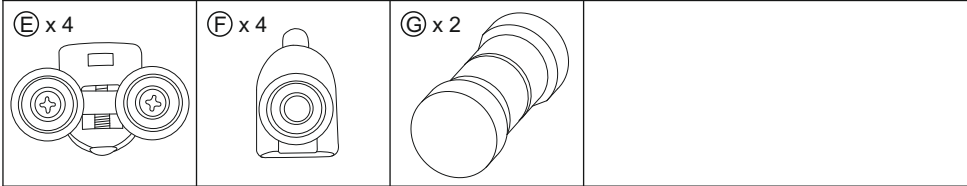
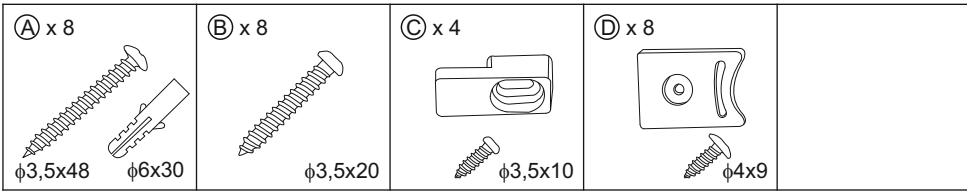


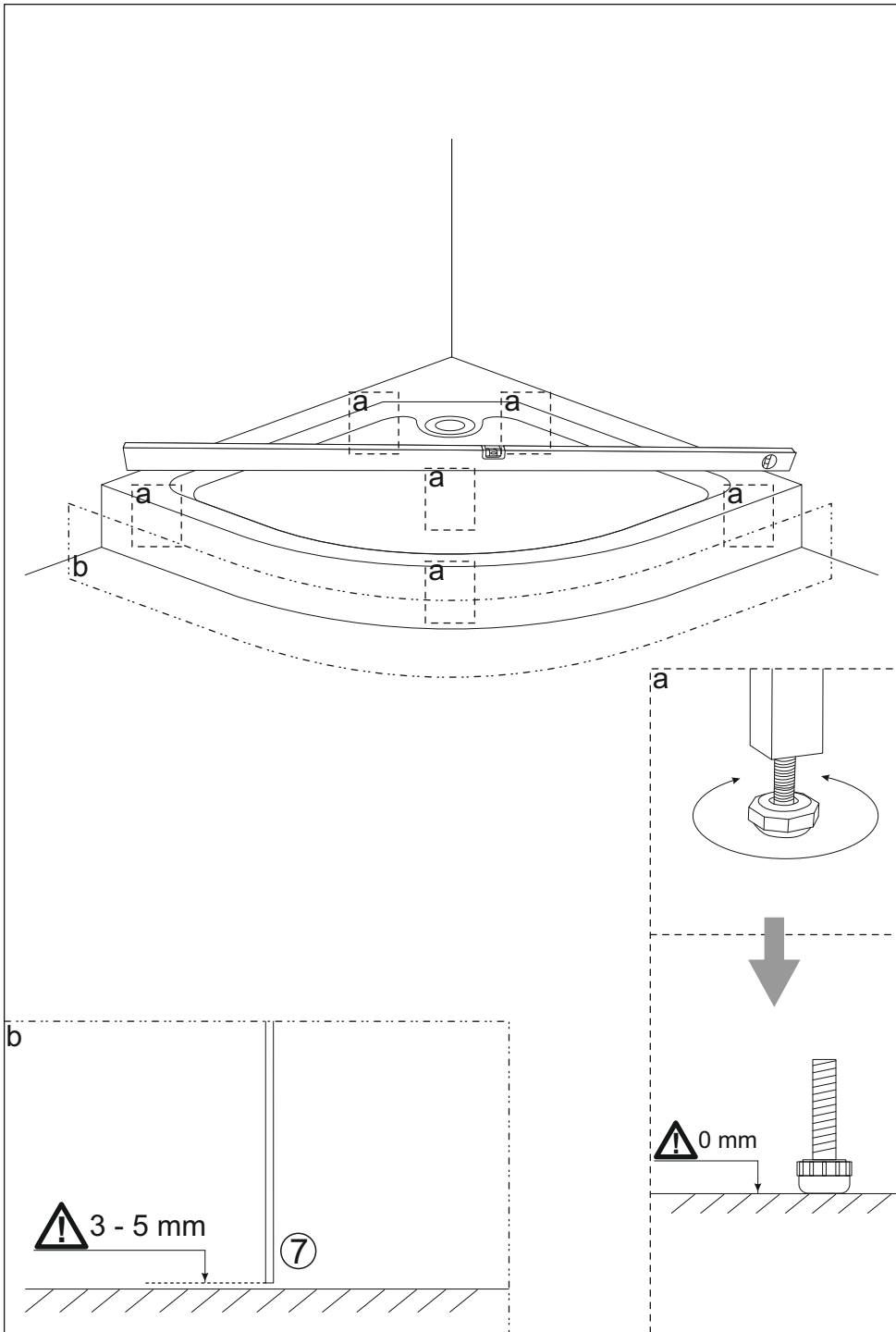


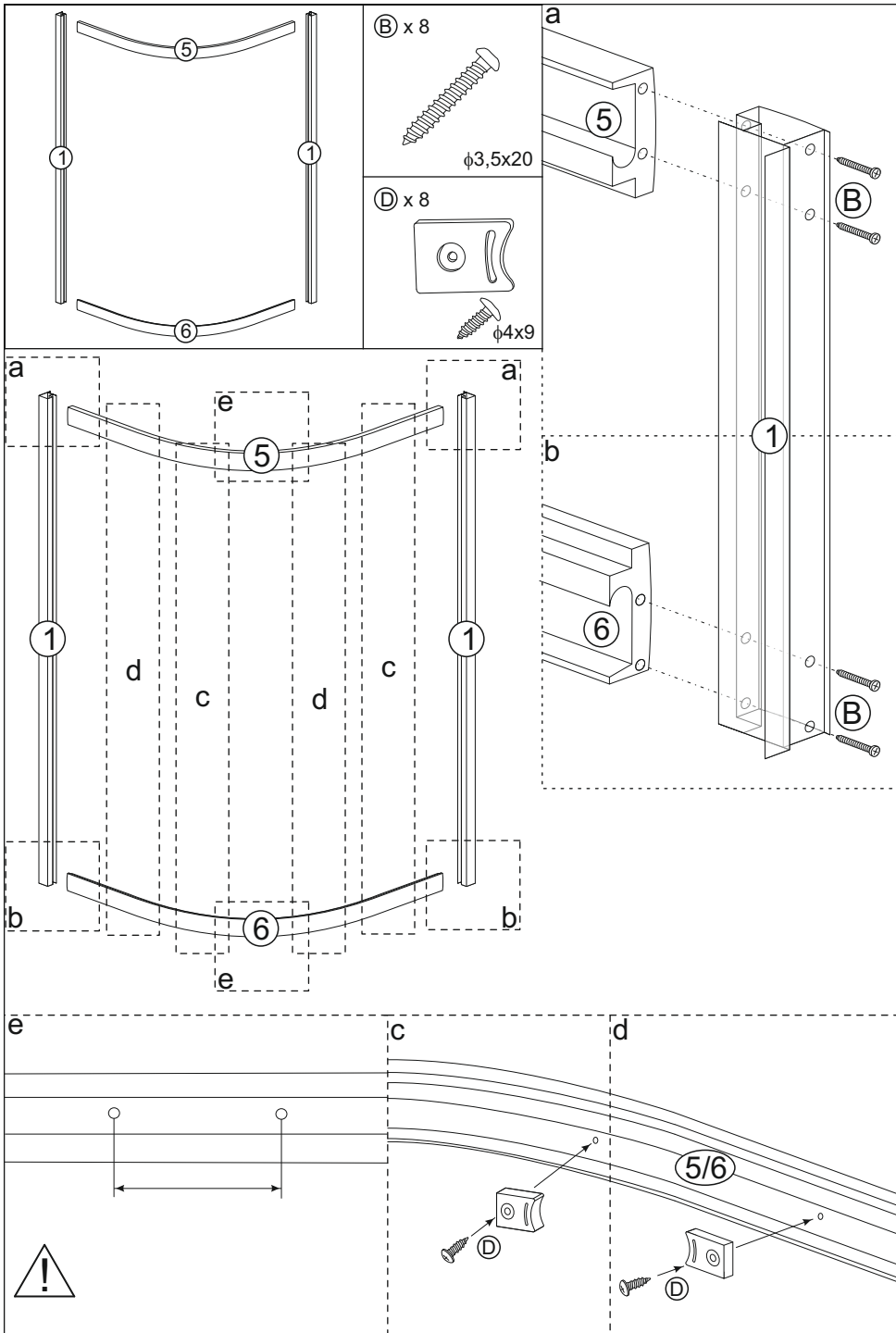


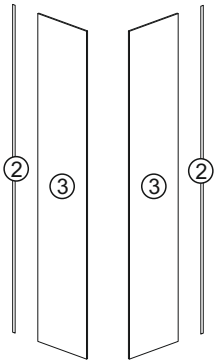
*



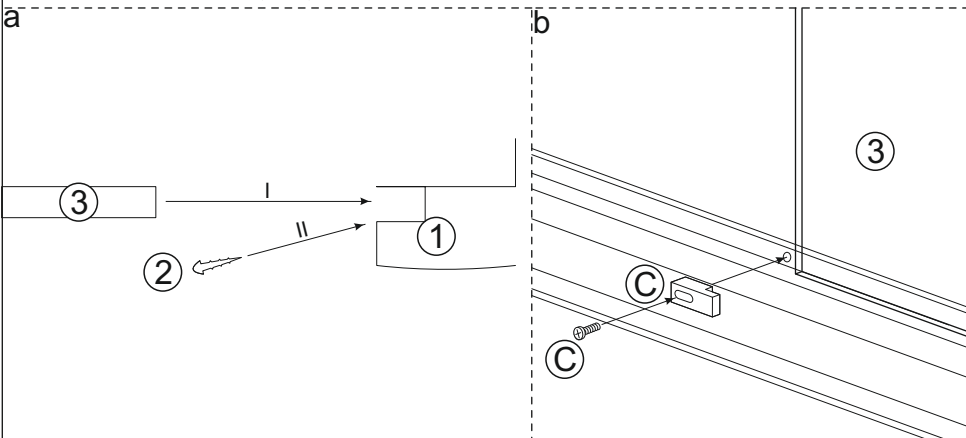
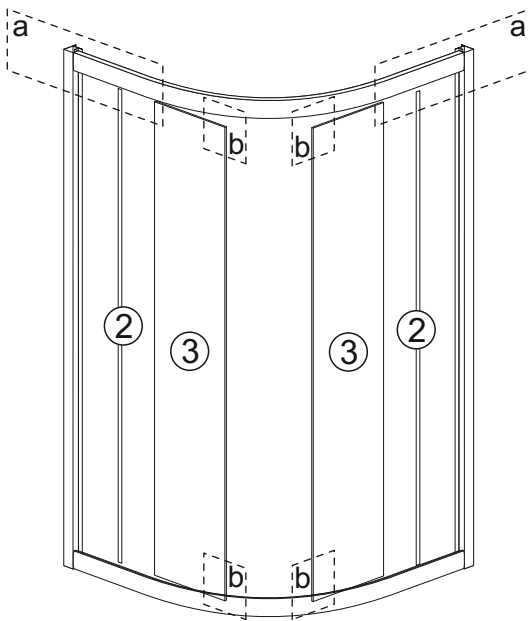
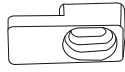


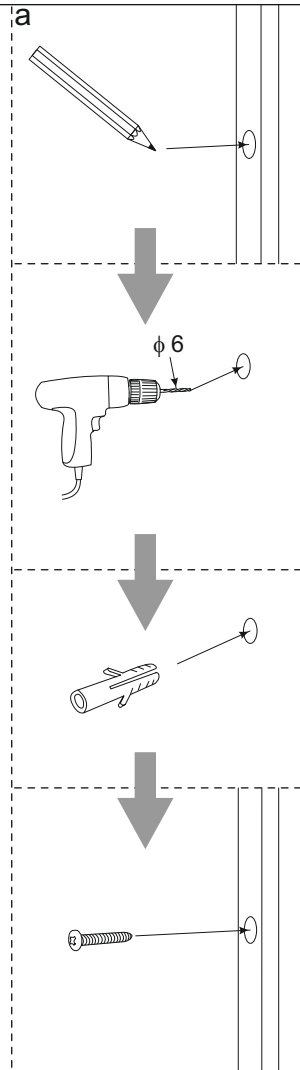
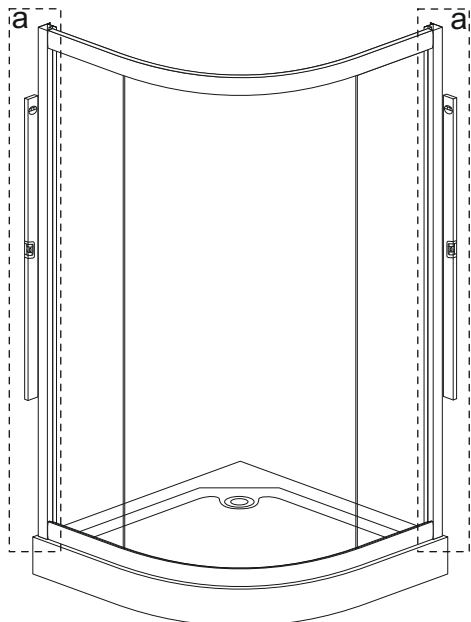
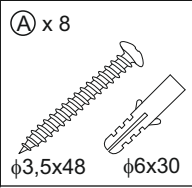


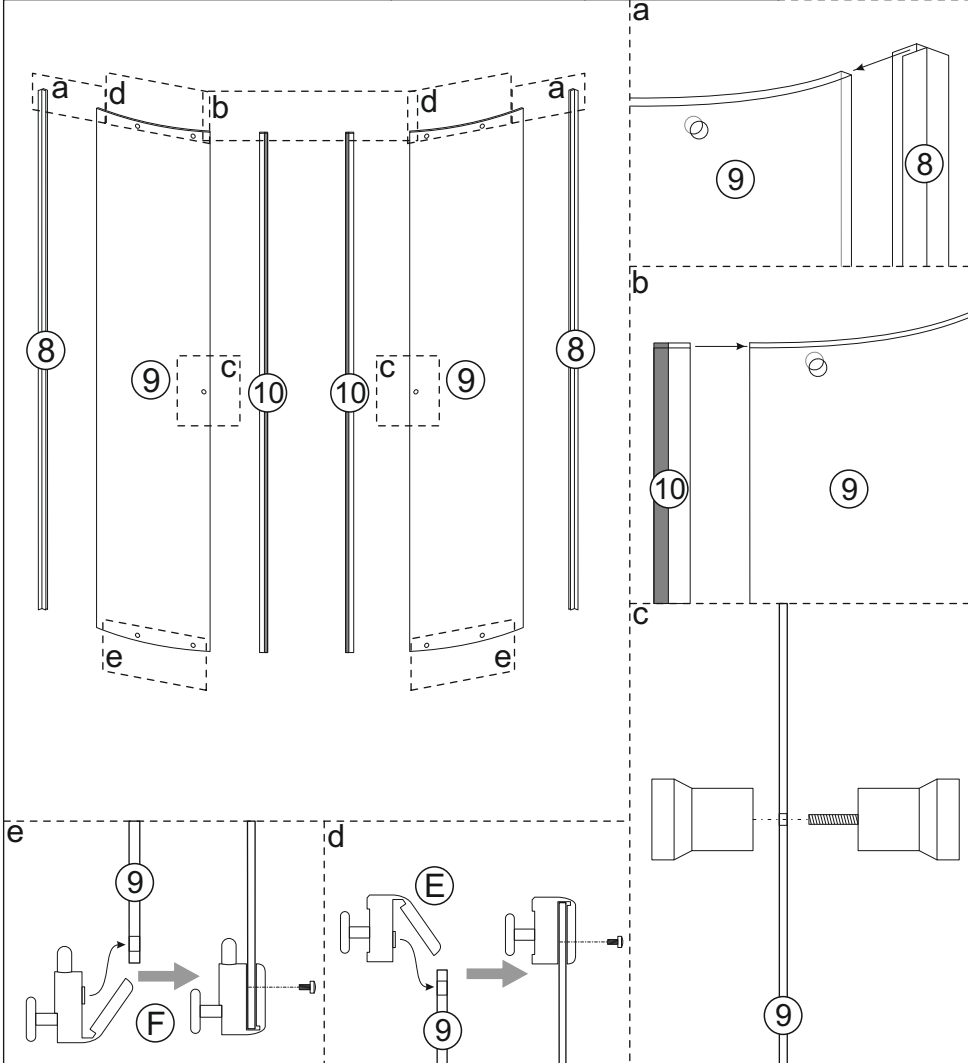
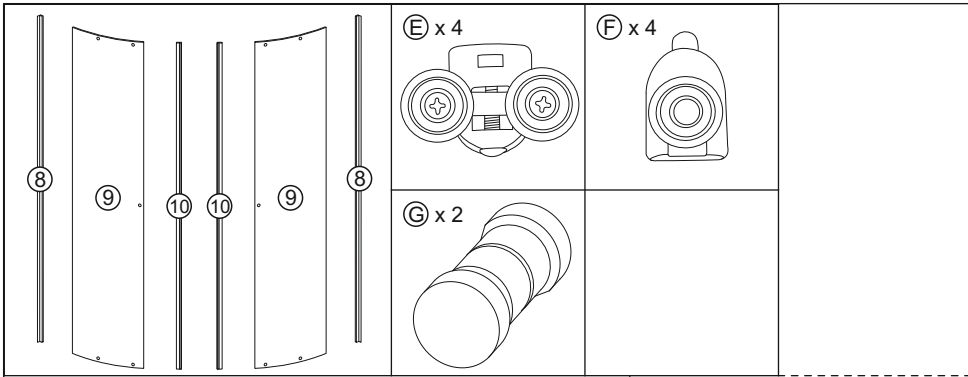


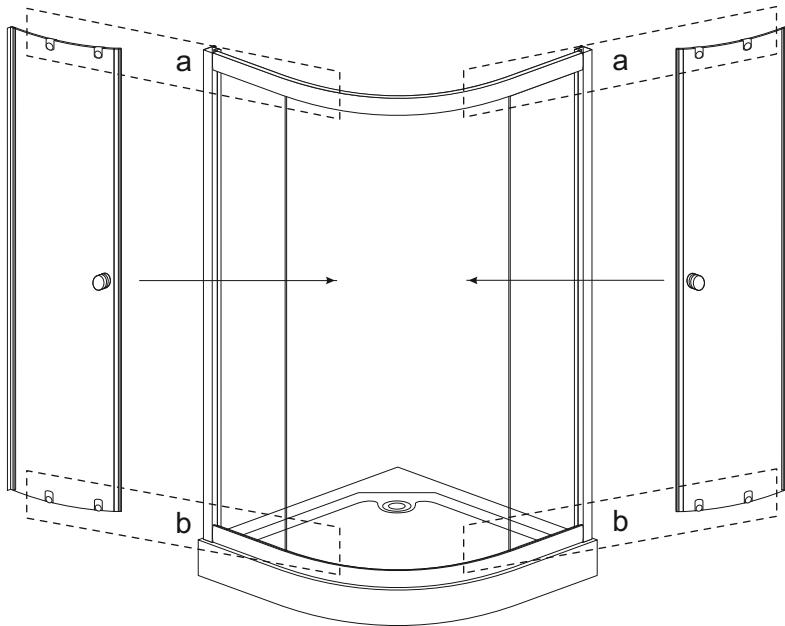


Ⓒ x 4

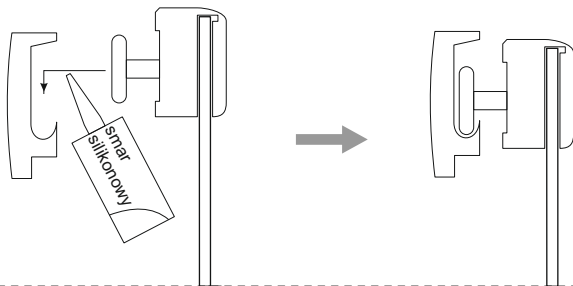








a



b

