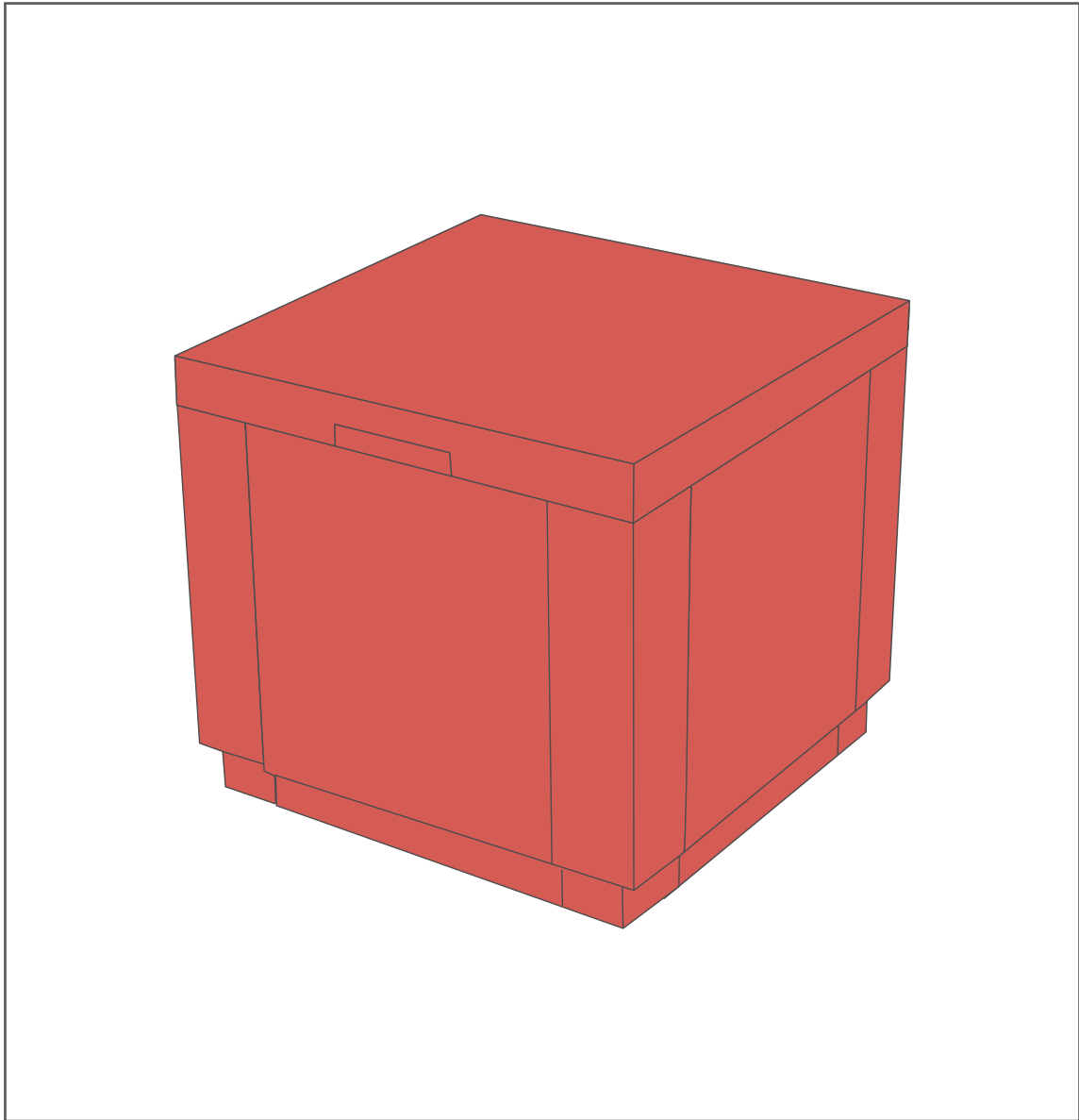


# CUBE

---

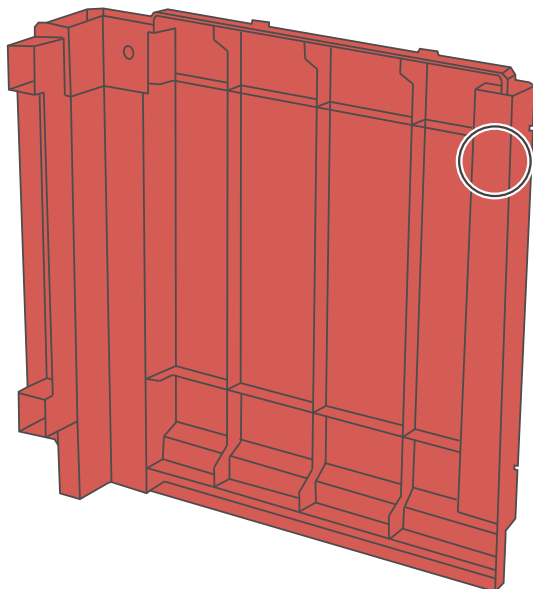


**ALLiBERT** 

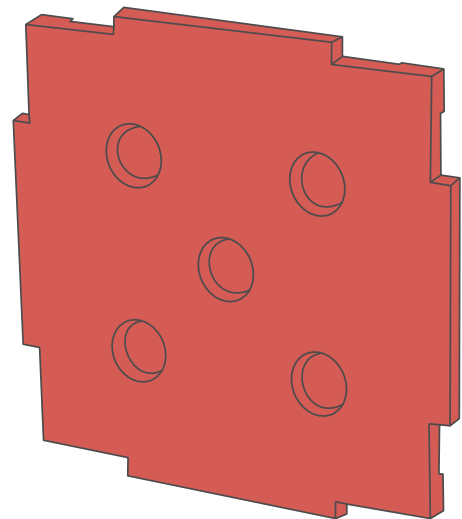
P.O.Box 224 | 5120 AE Rijen | The Netherlands | [www.allibert-outdoor.com](http://www.allibert-outdoor.com)



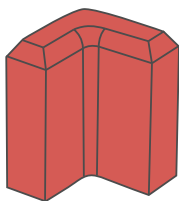
NEN 581



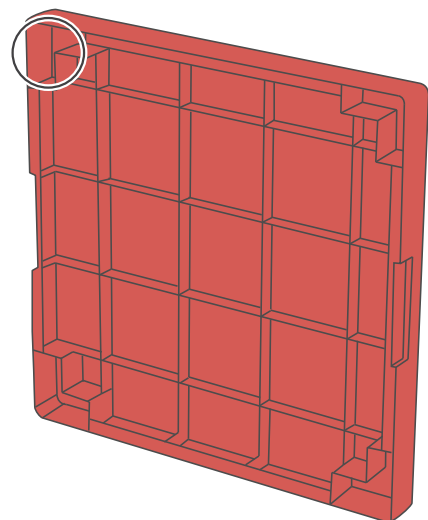
CS (4x)



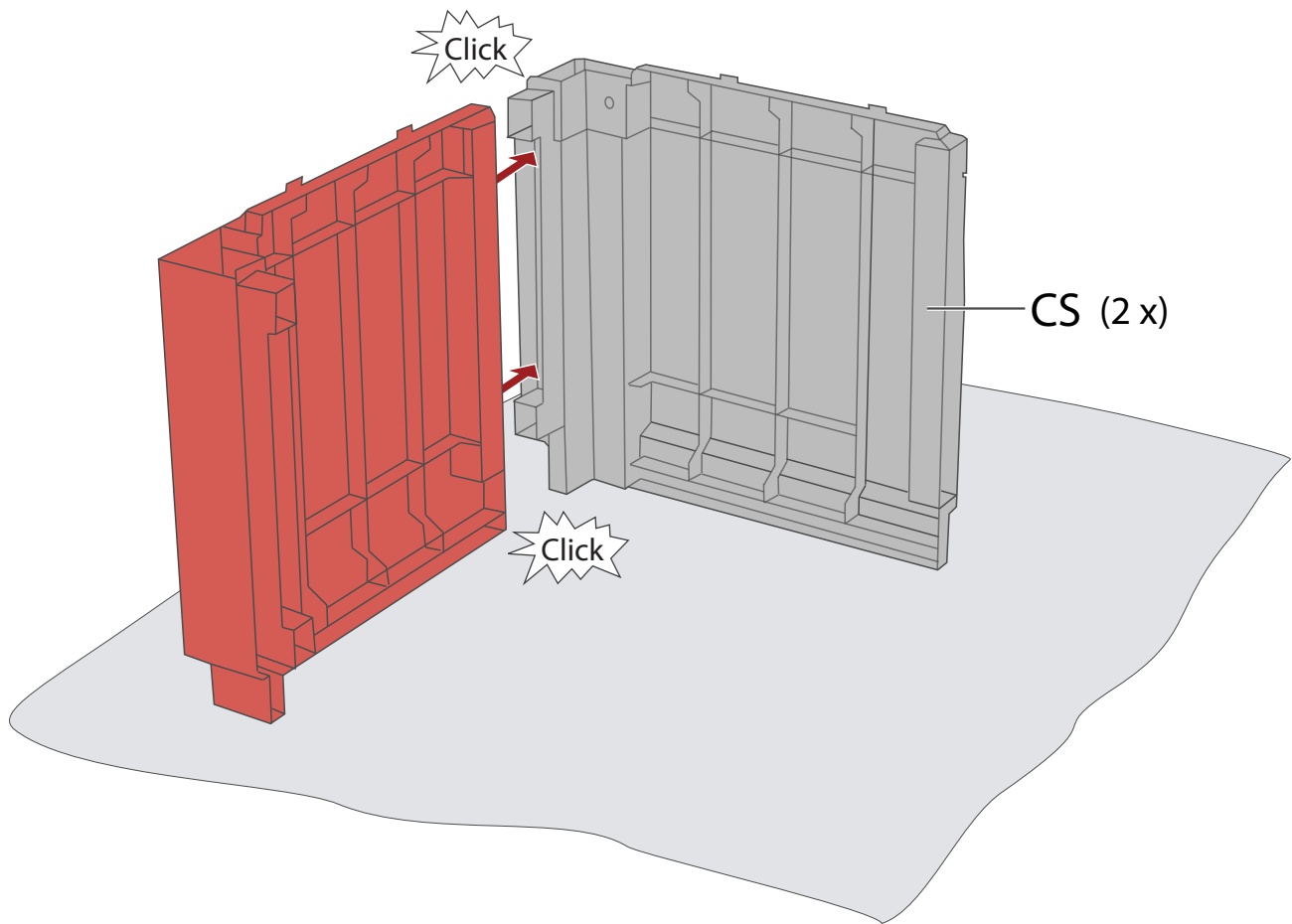
CB (1x)



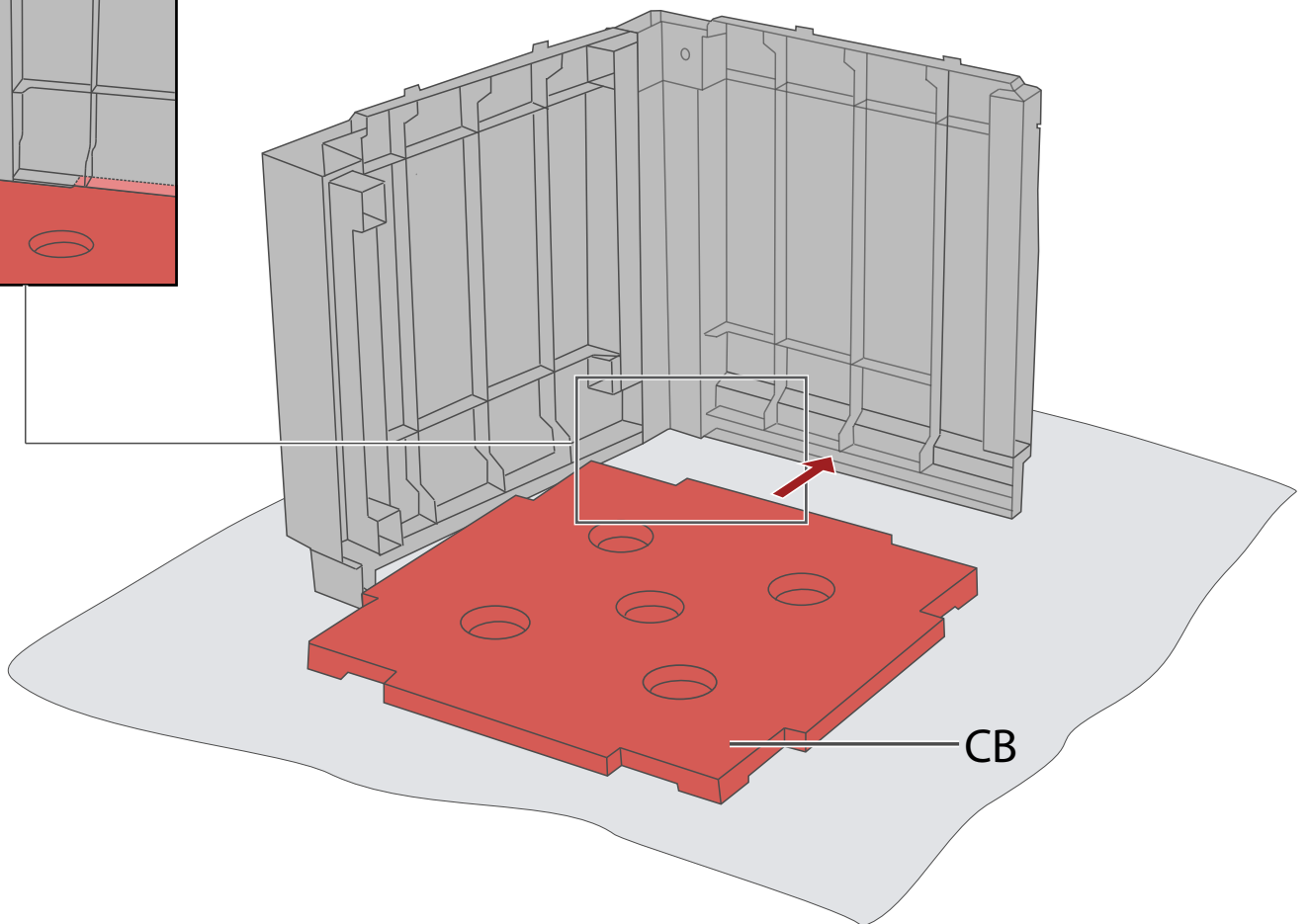
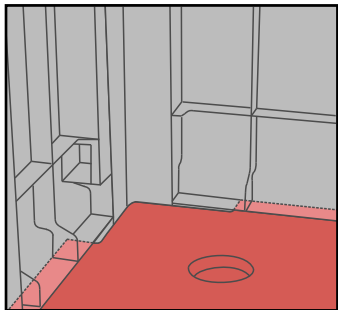
B (4x)



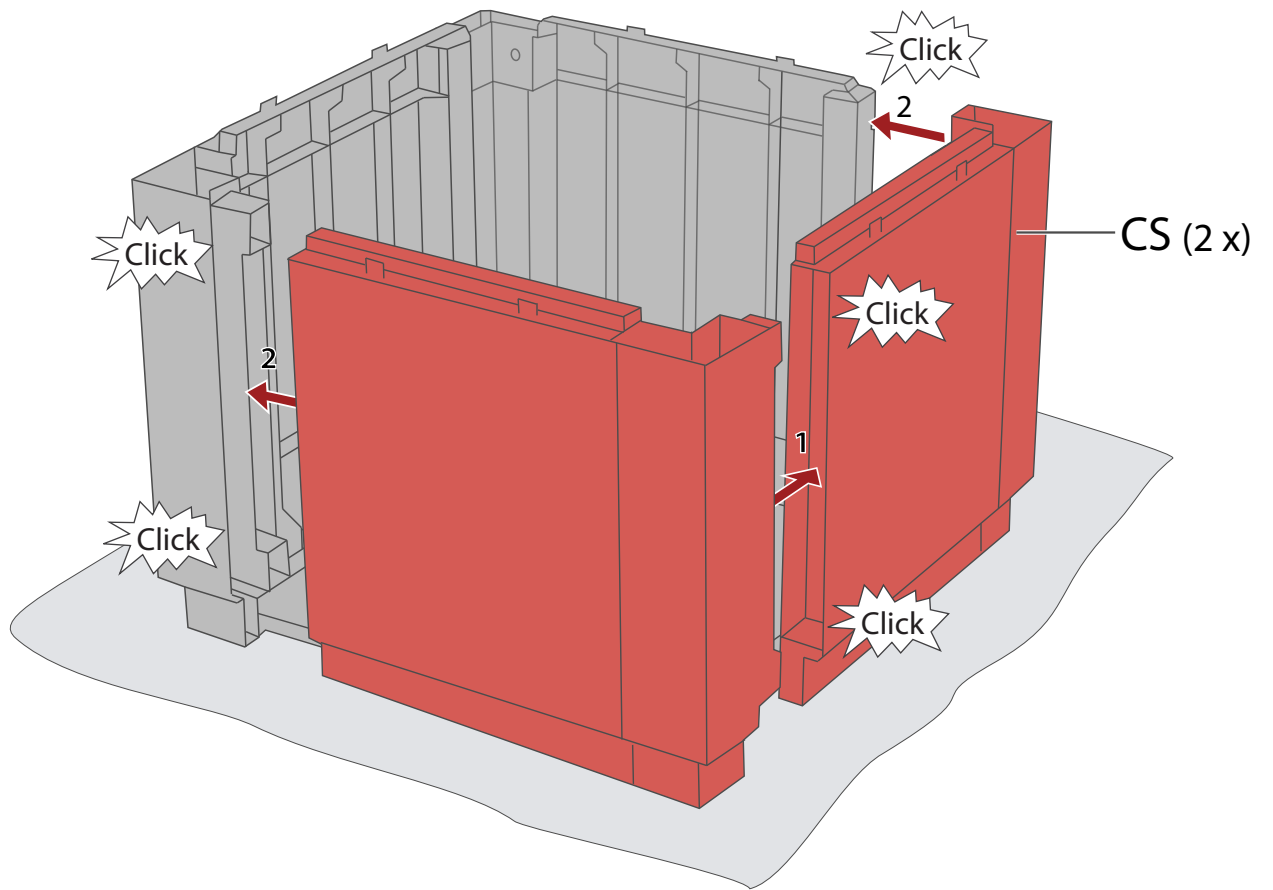
CL (1x)



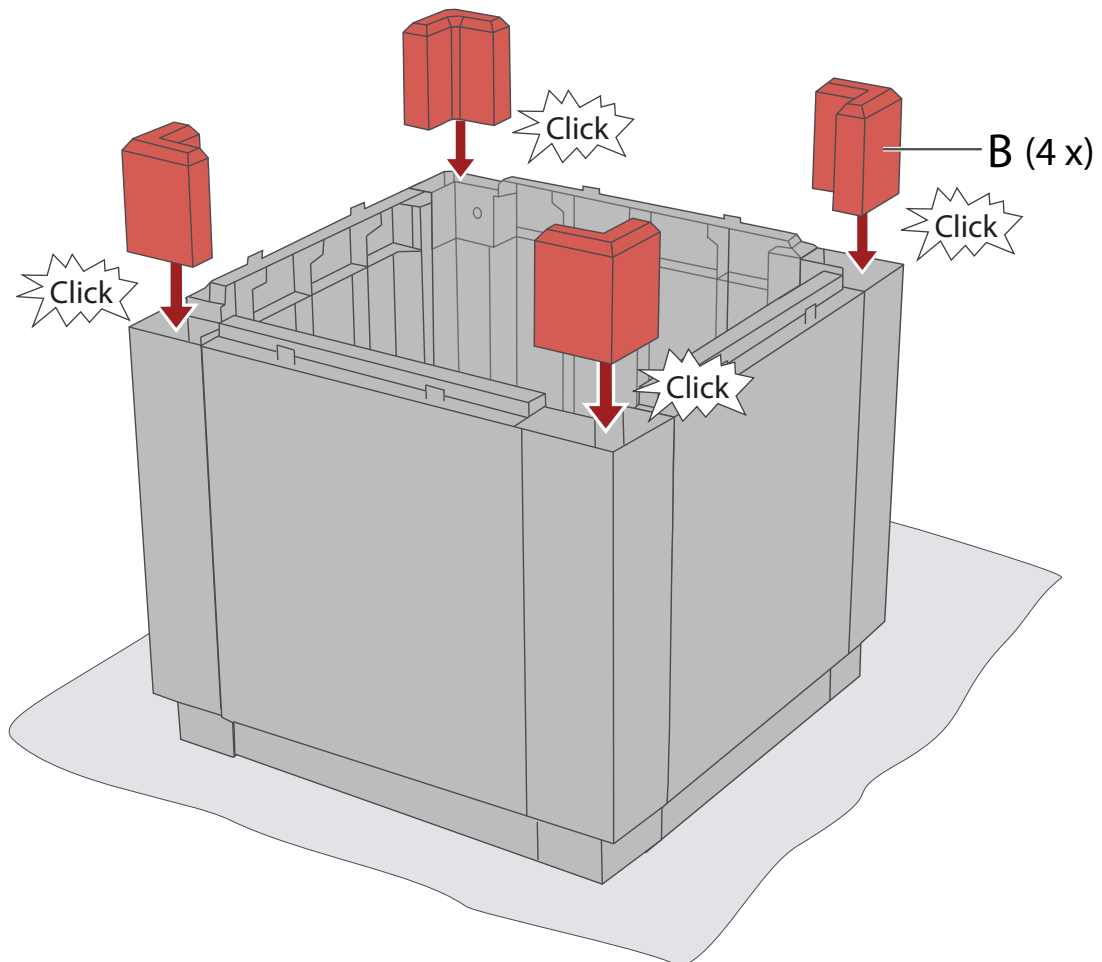
1



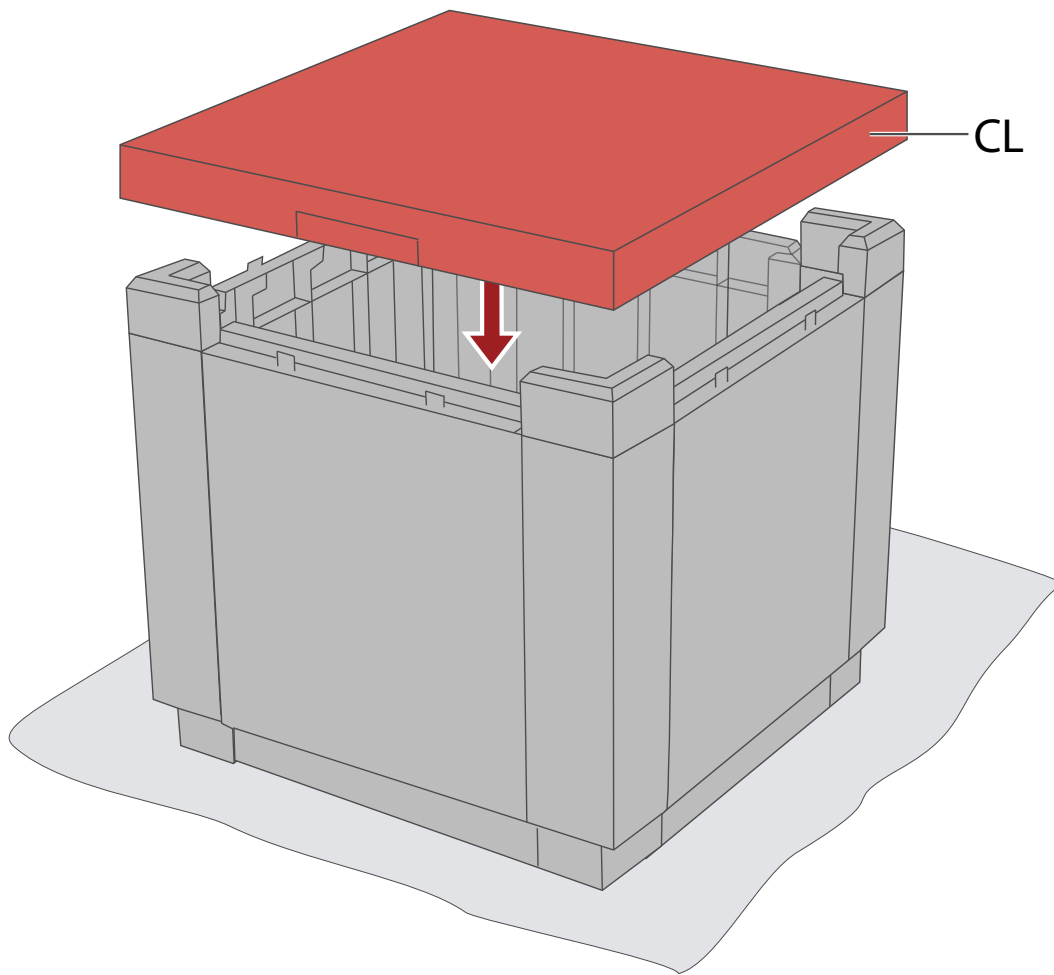
2



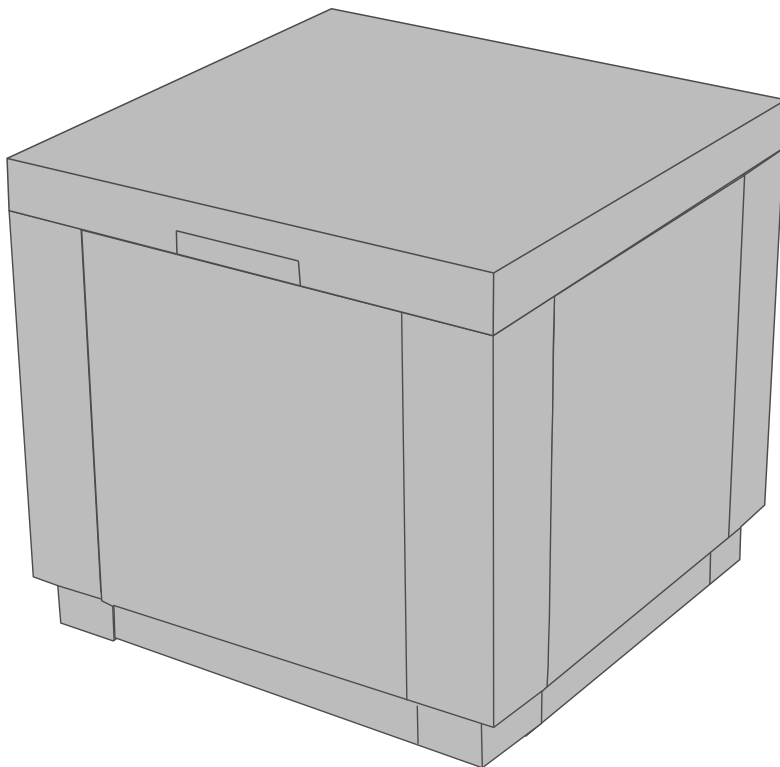
3



4



5



6