











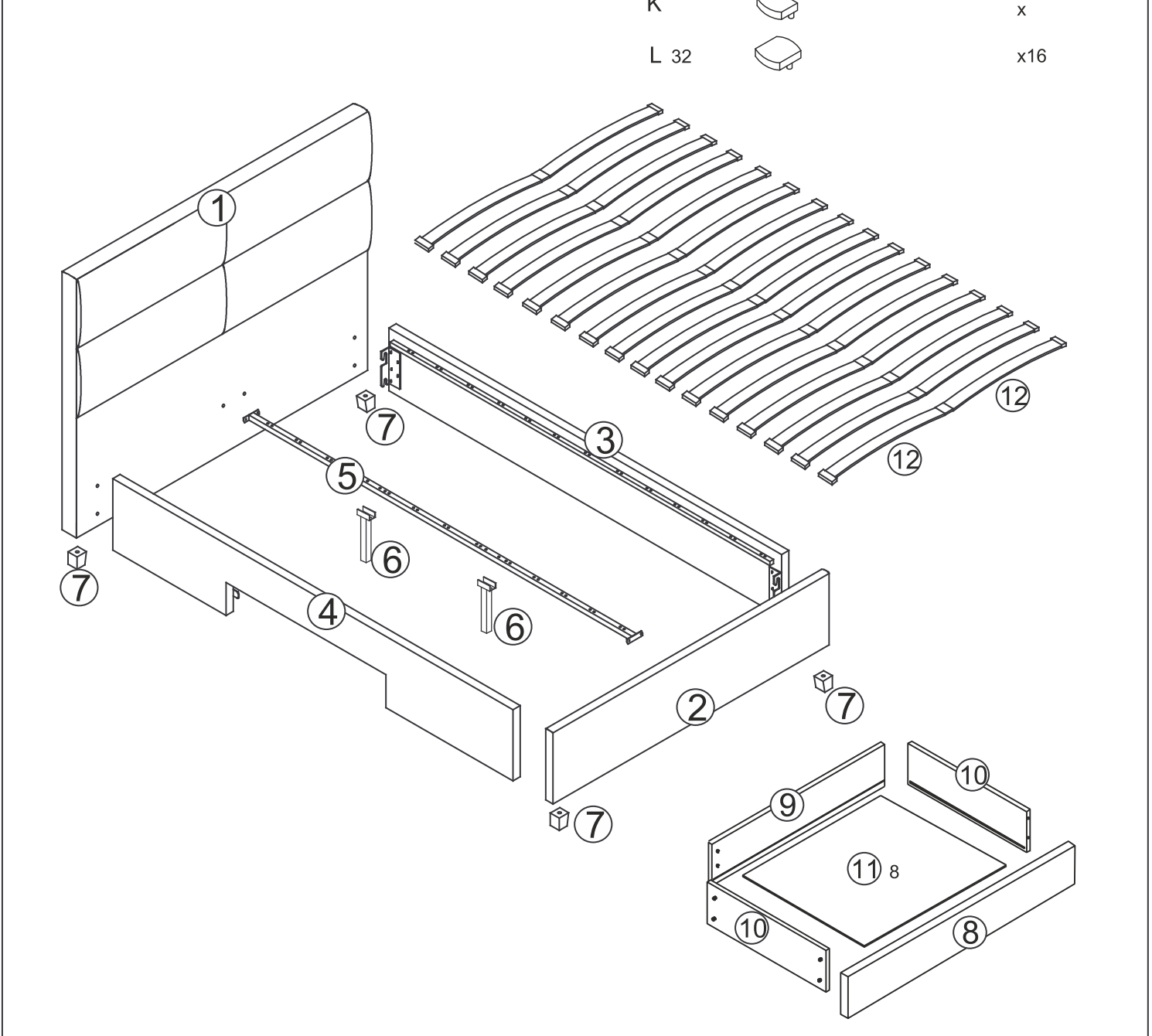
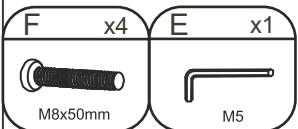
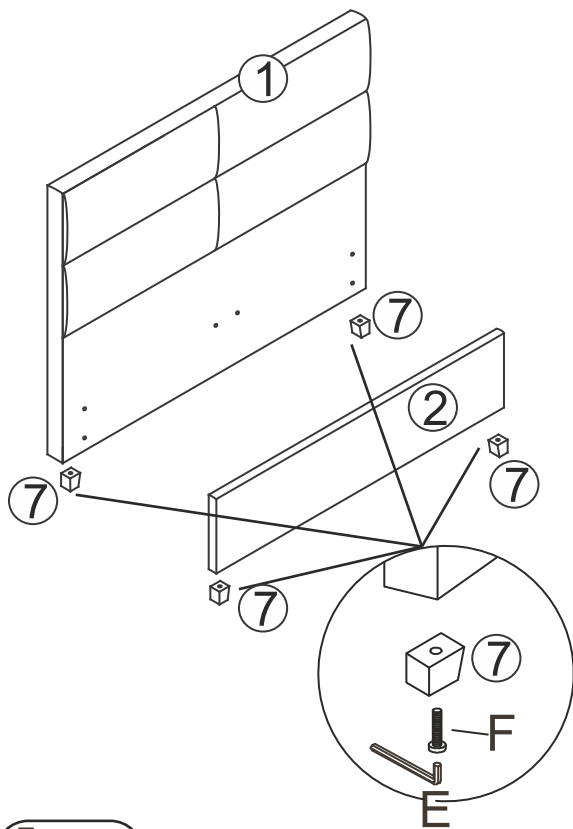


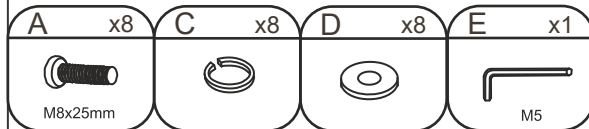
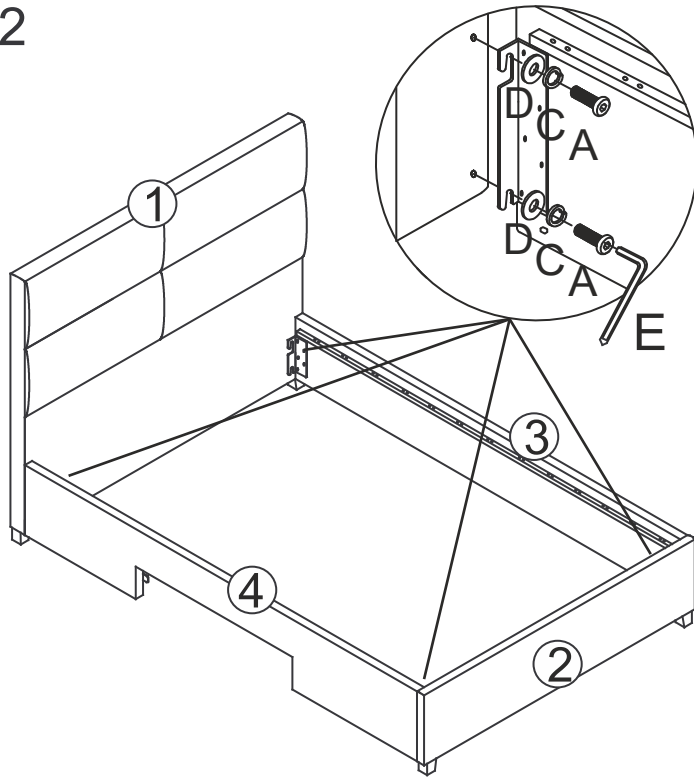
- | | | | |
|---|---|---------|-----|
| A |  | M8x25mm | x12 |
| B |  | M8x35mm | x4 |
| C |  | | x8 |
| D |  | M8mm | x16 |
| E |  | M5 | x1 |
| F |  | M8x50mm | x4 |
| G |  | | x |
| H |  | | x8 |
| I |  | | x4 |
| J |  | M8mm | x1 |
| K |  | | x |
| L |  | | x16 |



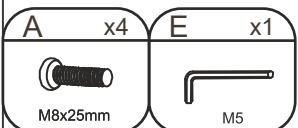
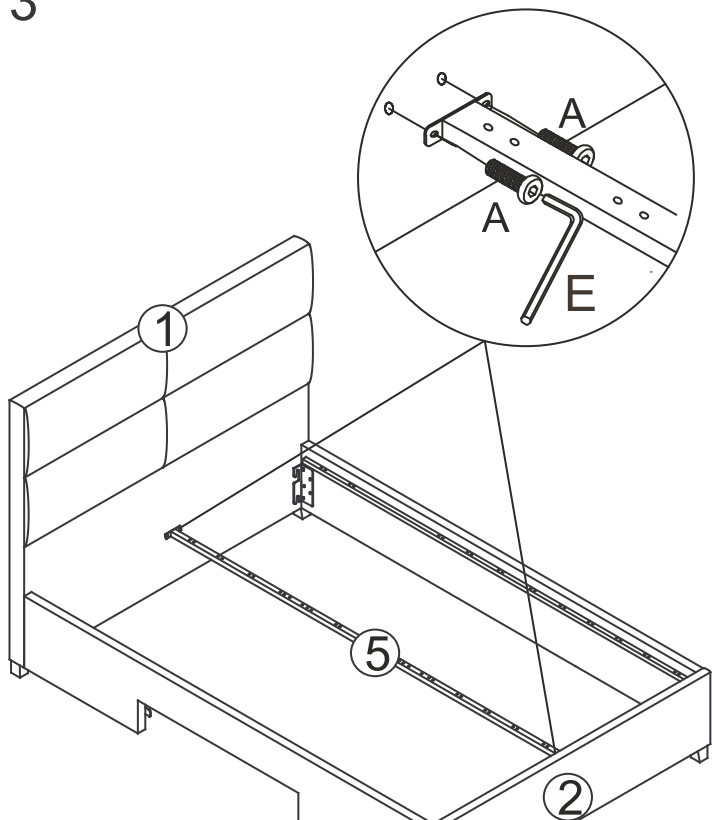
1



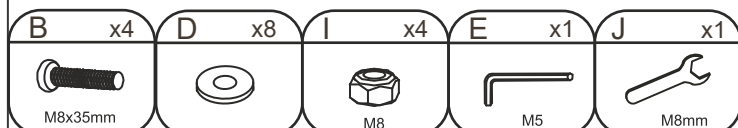
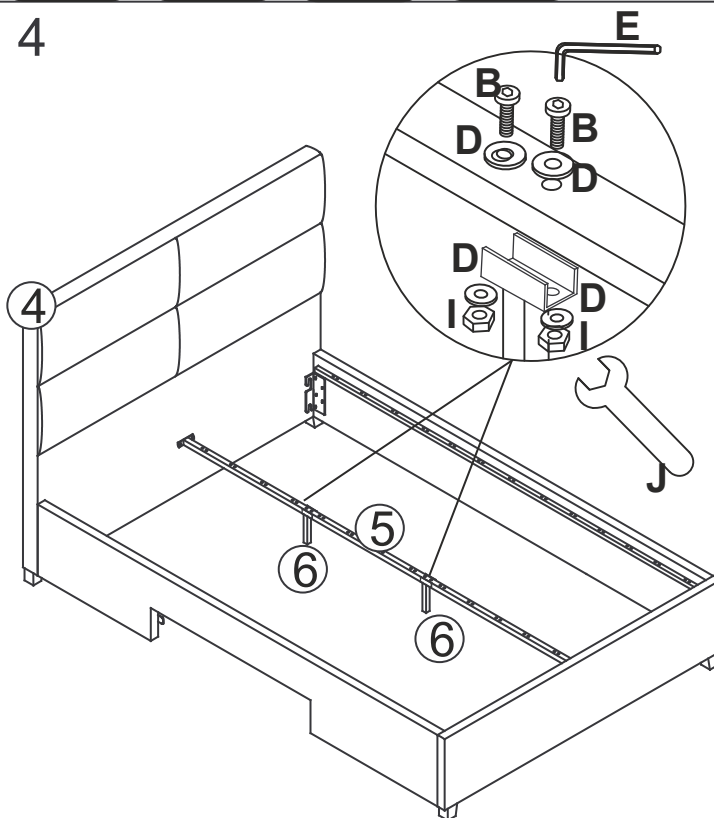
2



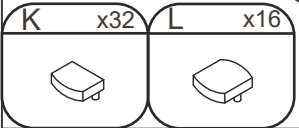
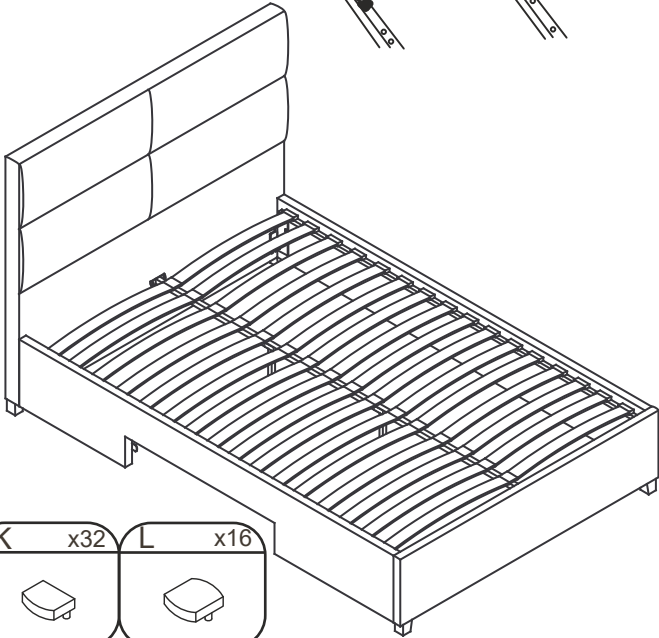
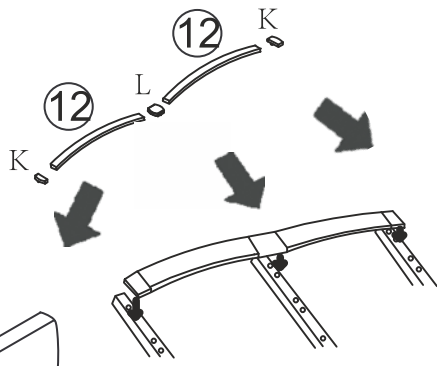
3



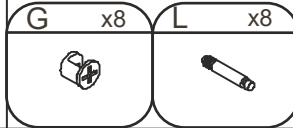
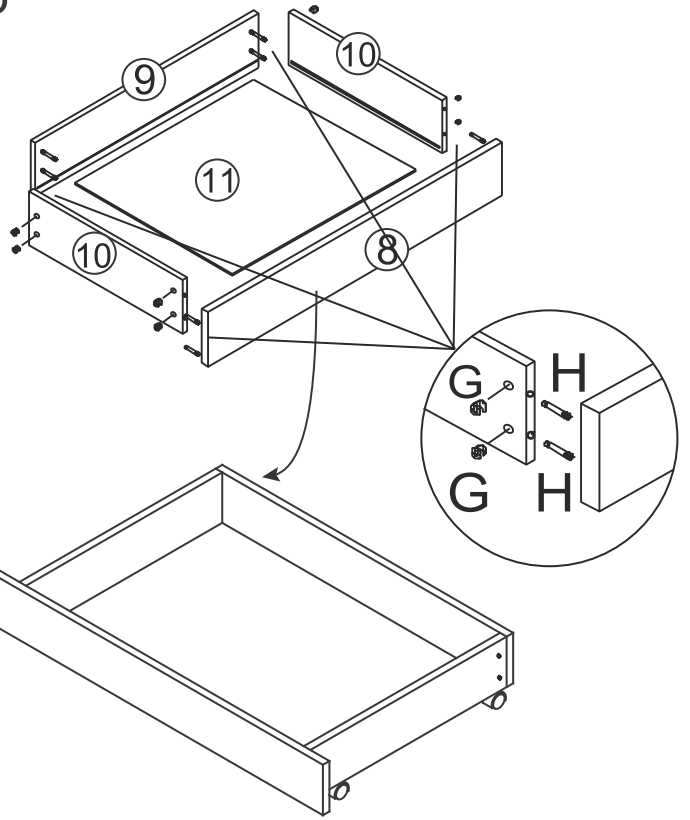
4



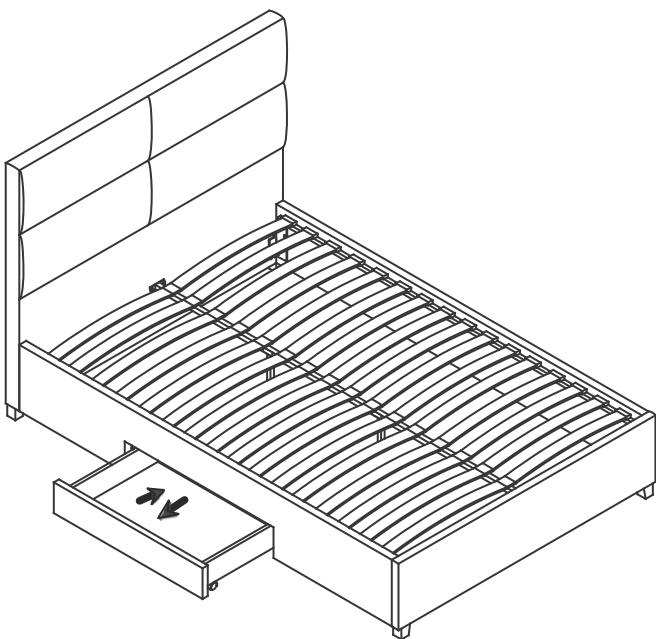
5



6



7



8

