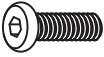
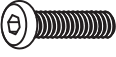













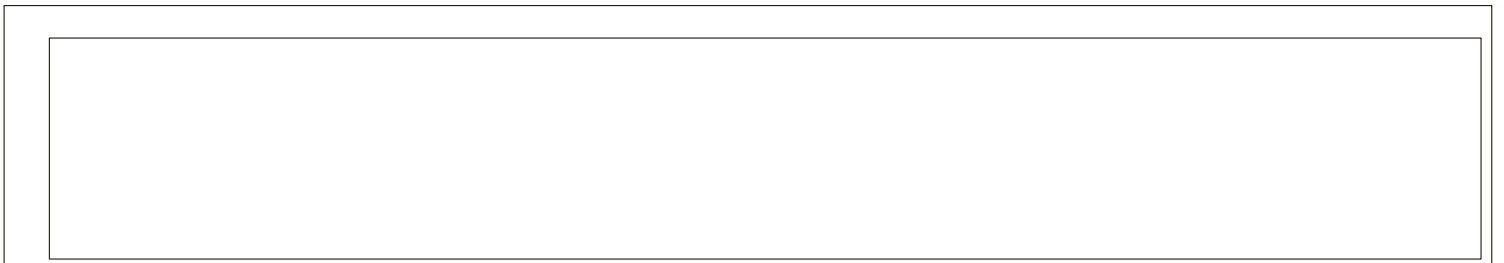
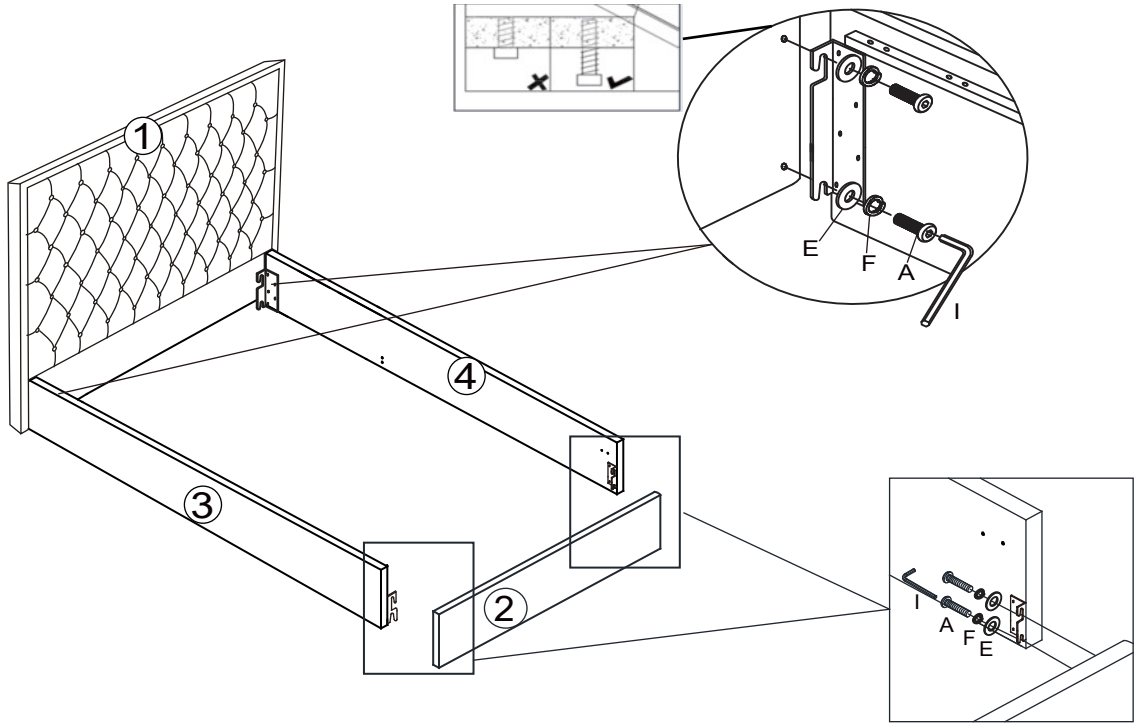


A		M8x25mm	36x
B		M8x35mm	3x
C		M8x45mm	6x
D			3x
E		∅ 18x1.0 -M8	41x
F			24x
G		M8	4x
H		M8	4x
I		S-5	1x
J		14# M8	1x
K		13# M8	1x
L			32x
M			16x
N		M6x16mm BOLT	8x
O		S-4	1x

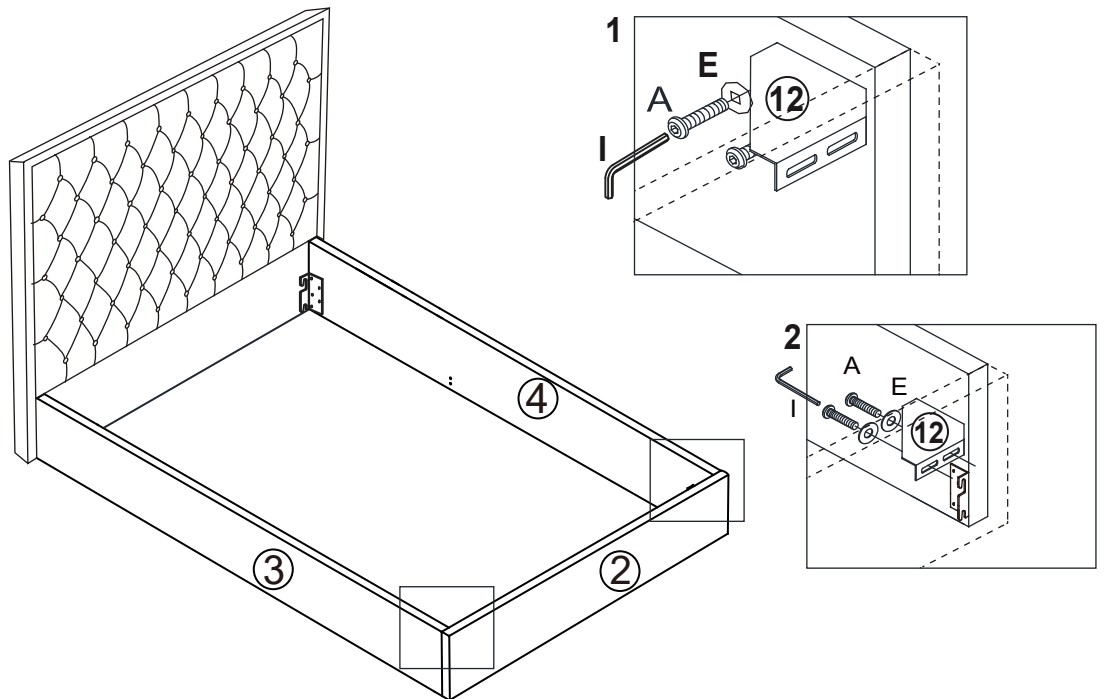


① 1		② 1	
③ 1 (L)		④ 1 (R)	
⑤ 1		⑥ 1x	
⑦ 1x		⑧ 2x	
⑨ 1x		⑩ 1x	
⑪ 32x		⑫ 2x	
⑬ 2x		⑭ 1x	
⑮ 1x		⑯ 1x	
⑰ 1x		⑱ 1x	
⑲ 1x			

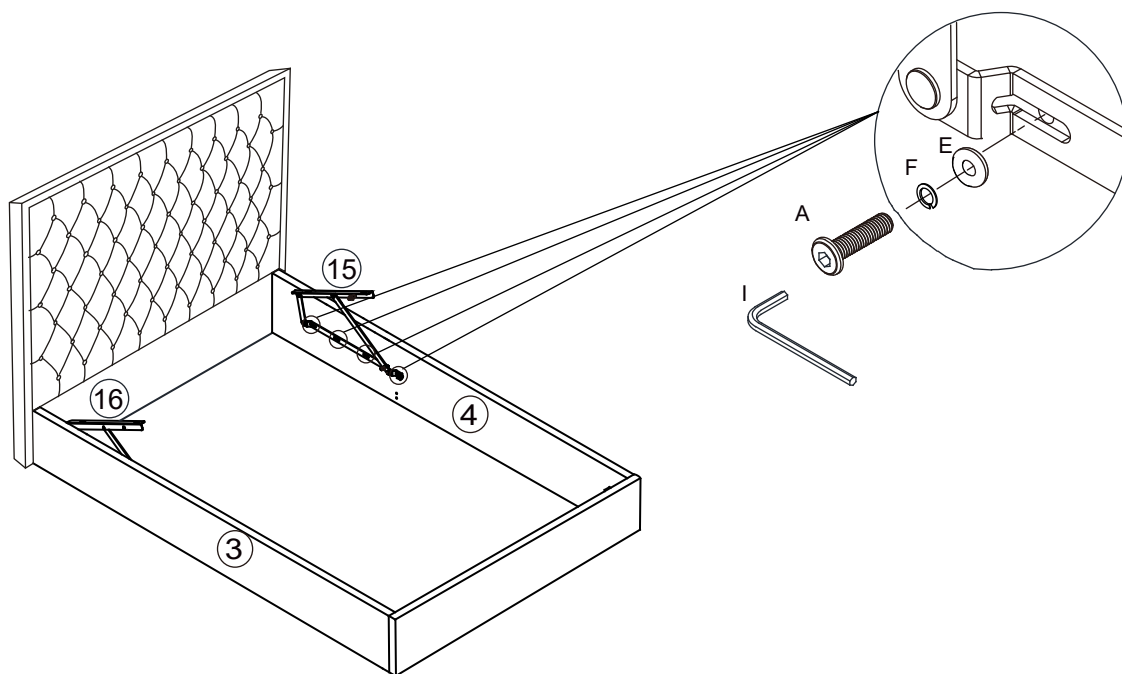
01



02



03



Ax8



Ex8

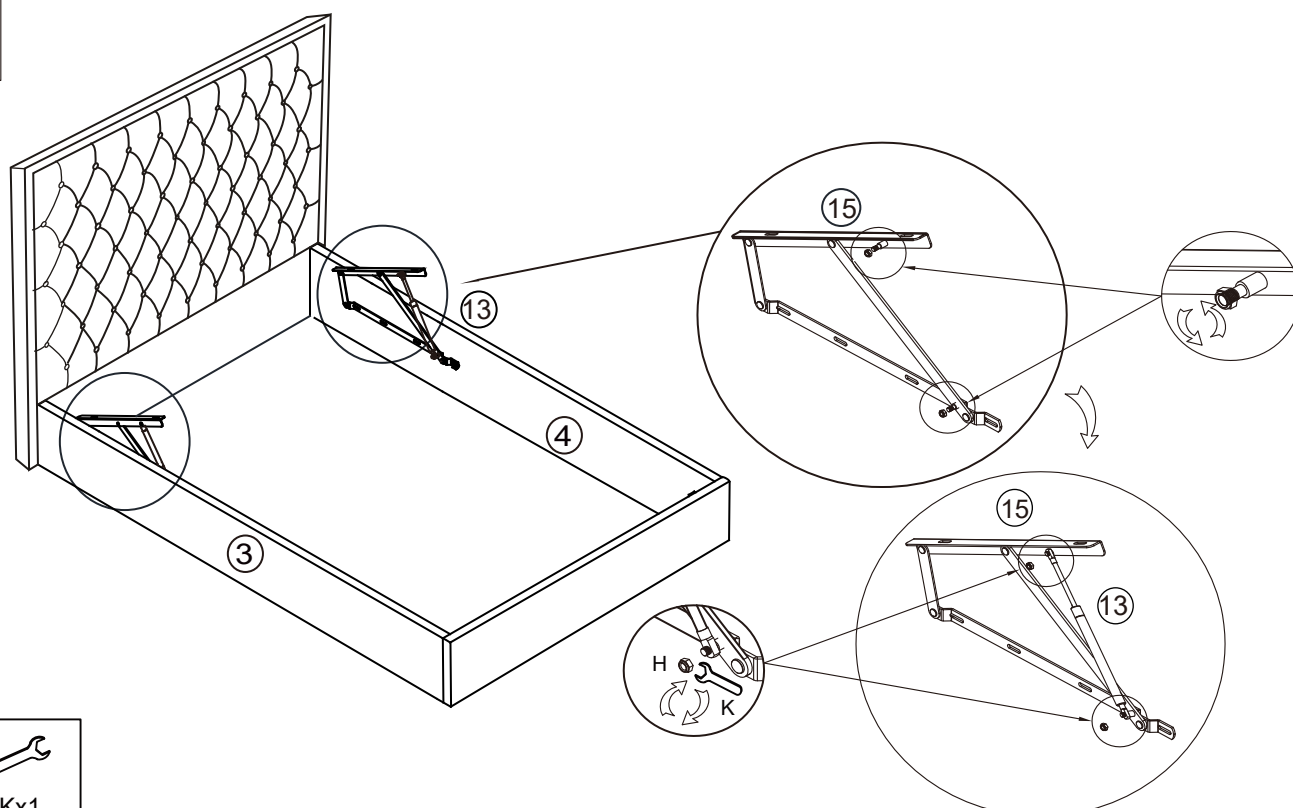


Fx8



Ix1

04

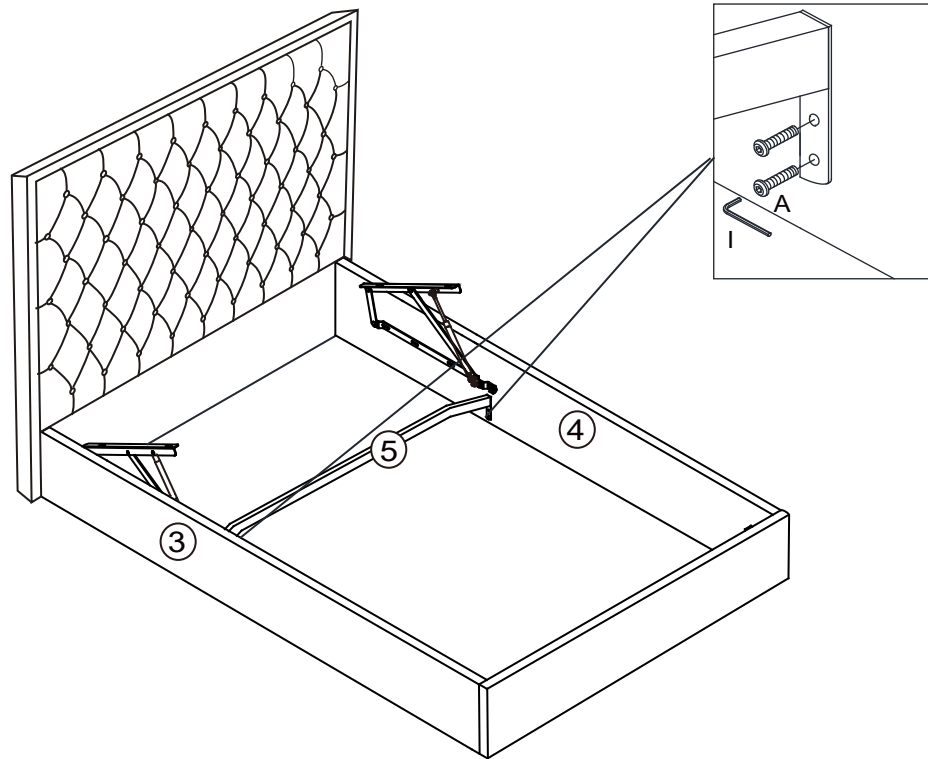


Hx4



Kx1

05

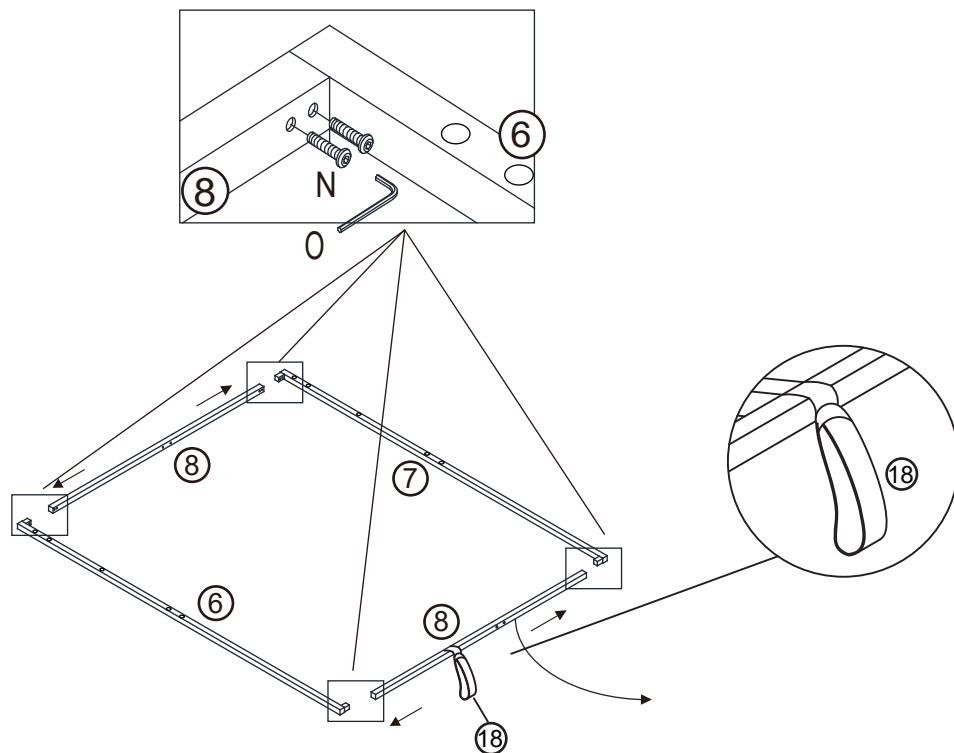


Ax4



Ix1

06

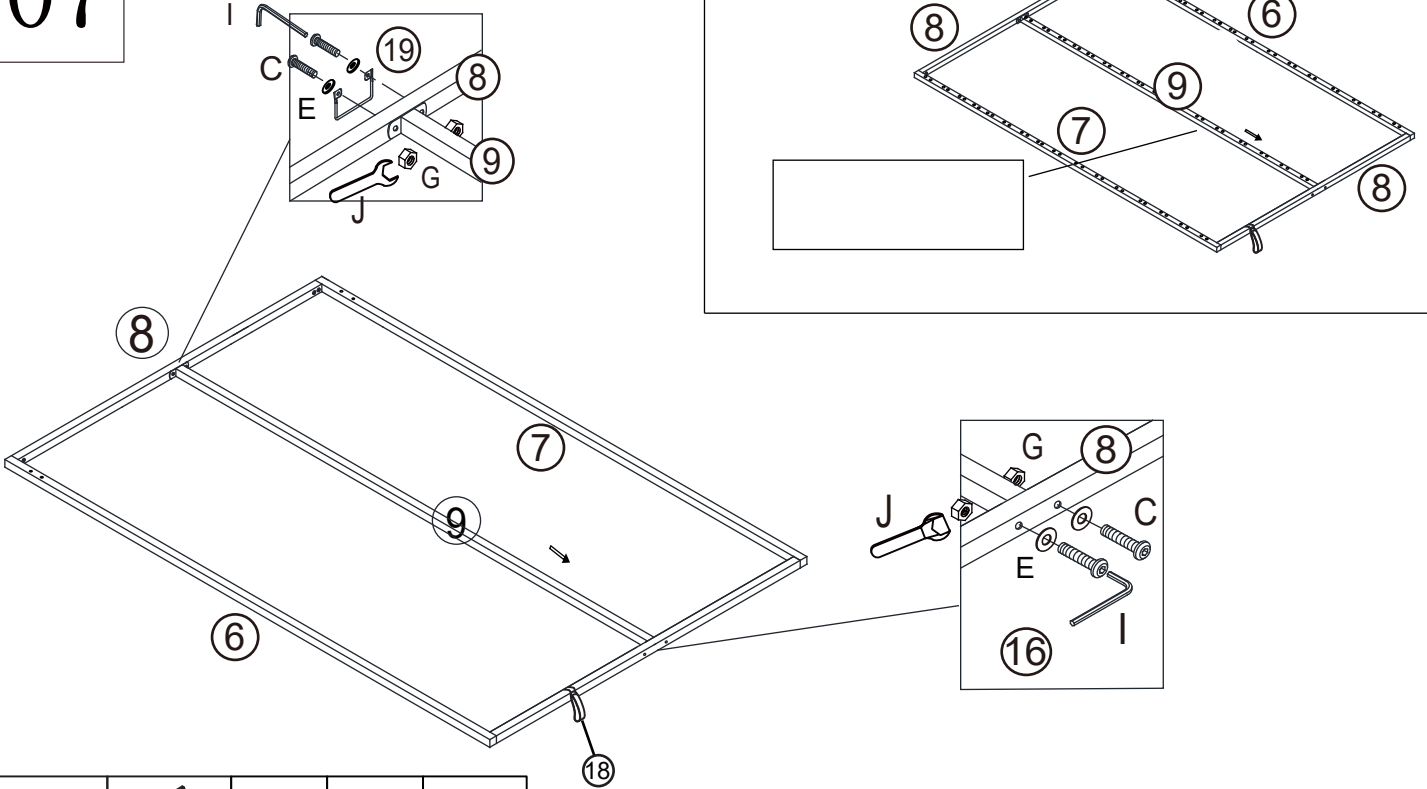


Nx8



Ox1

07



Cx4



Ix1



Gx4

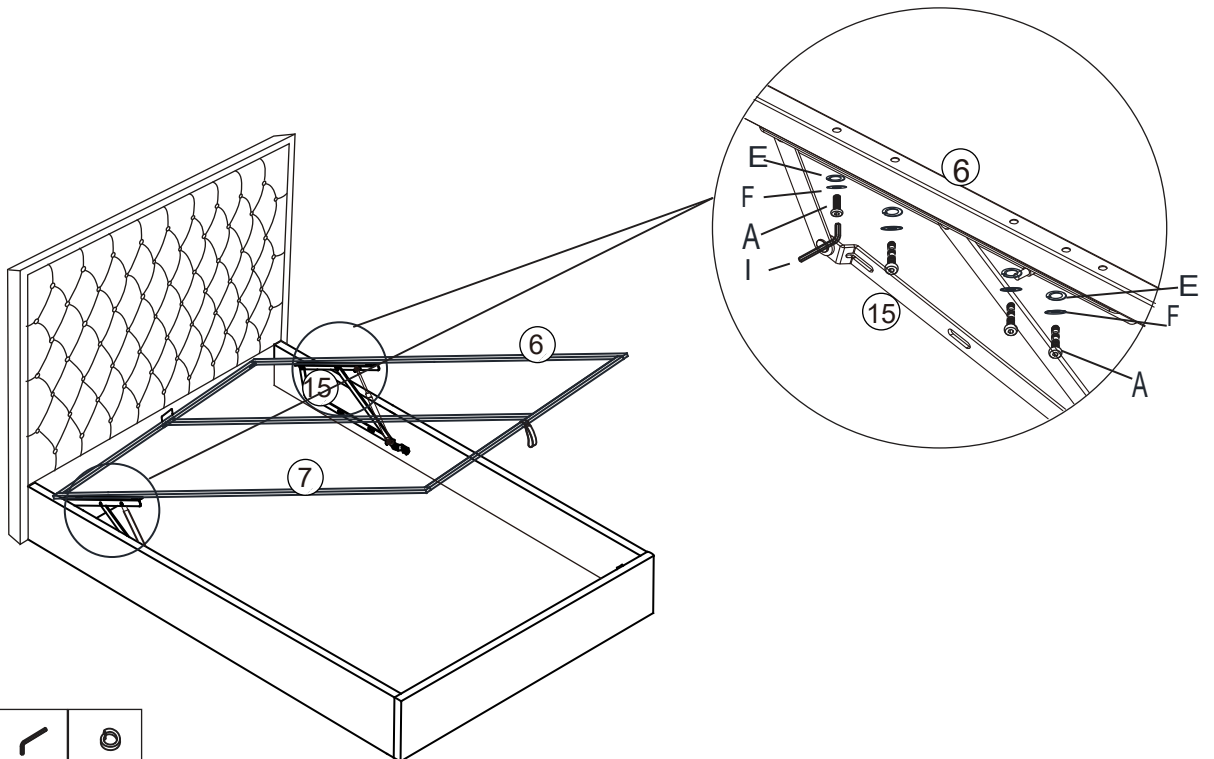


Jx1



Ex4

08



Ax8



Ex8

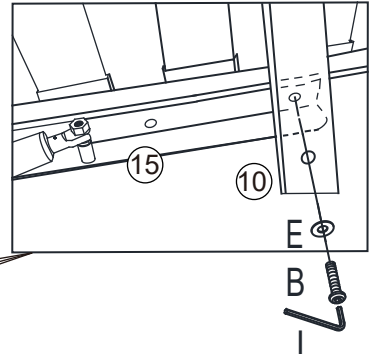
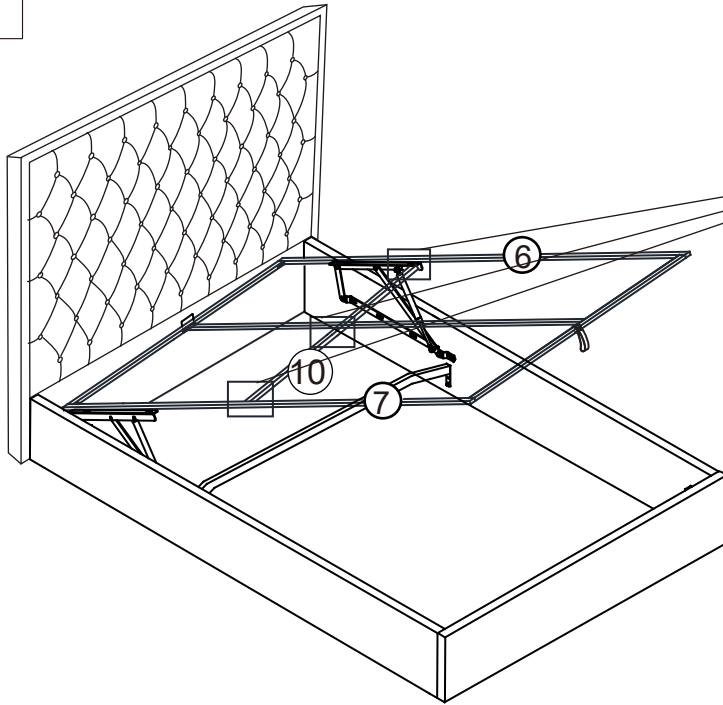


Ix1



Fx8

09



Bx3

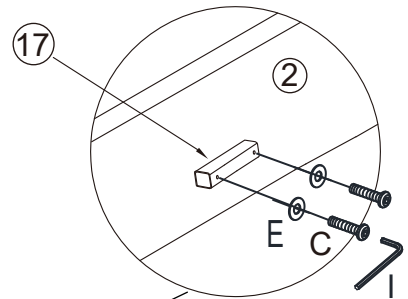
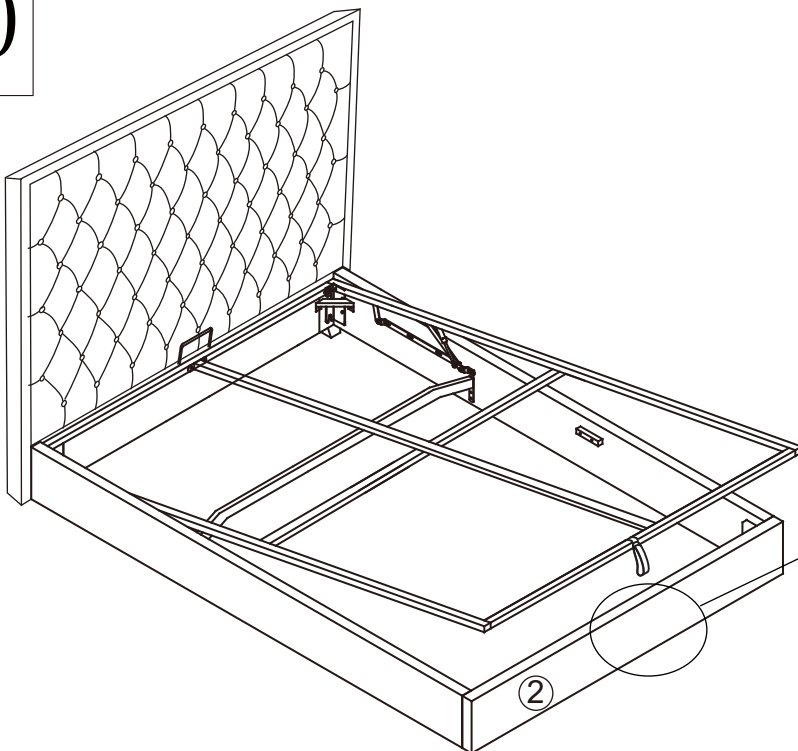


Ex3



Ix1

10



Cx2

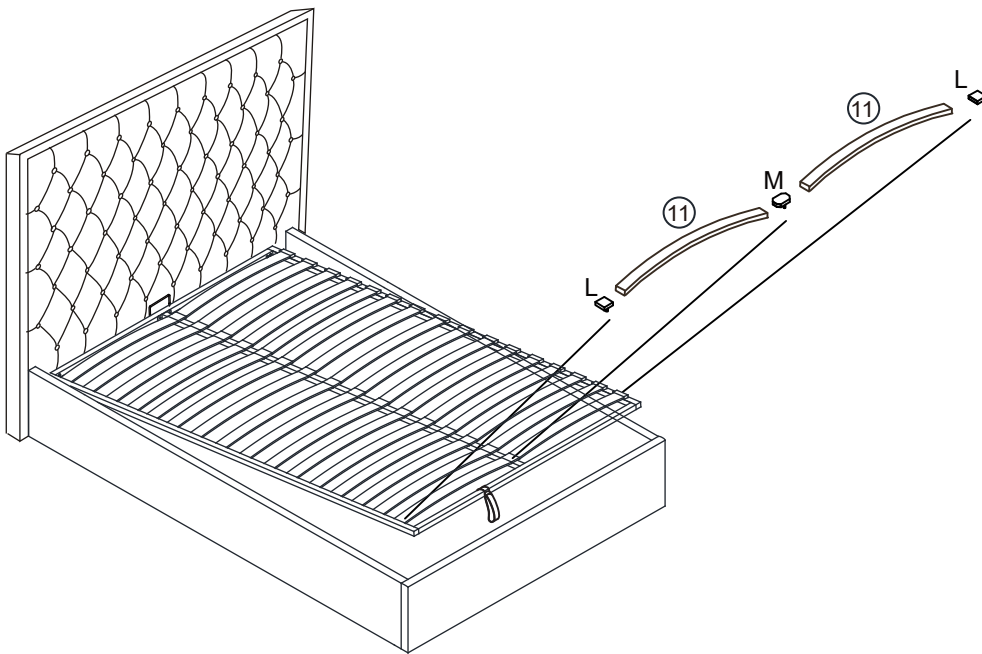


Ex2

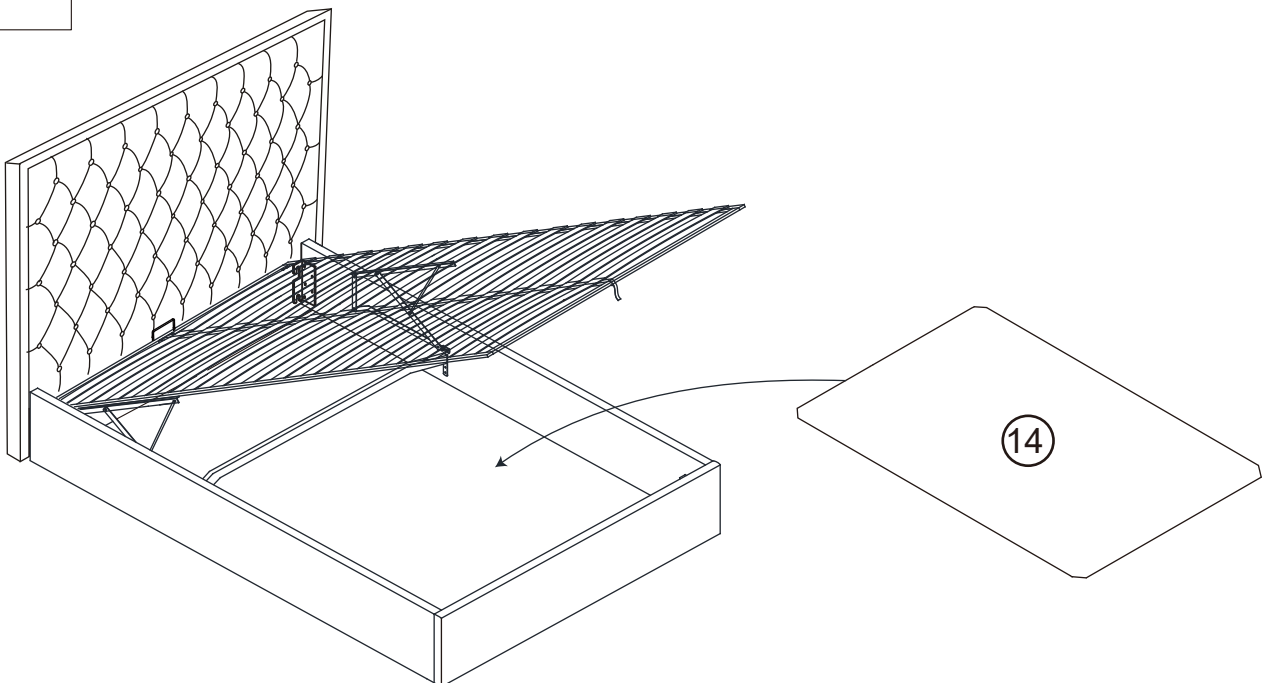


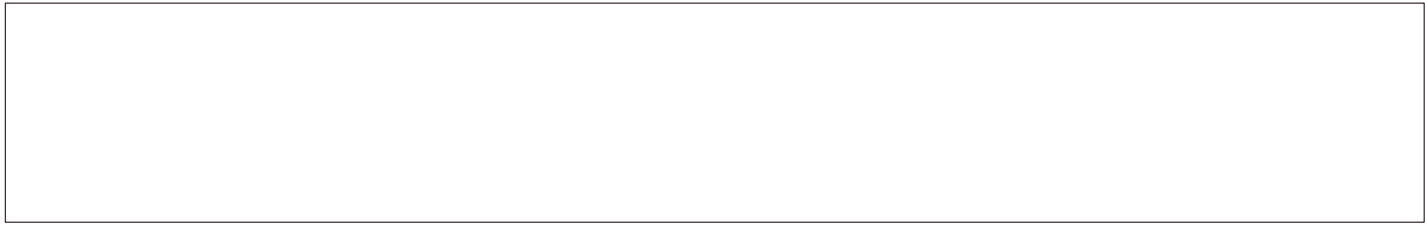
Ix1

11



12





13

