

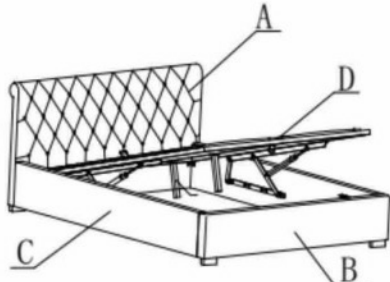
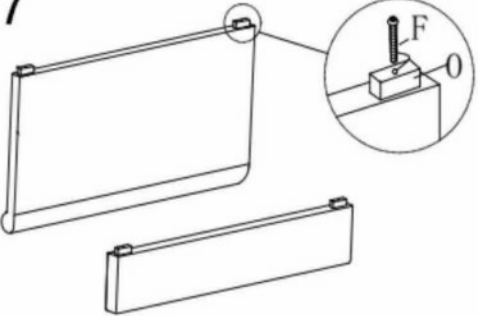






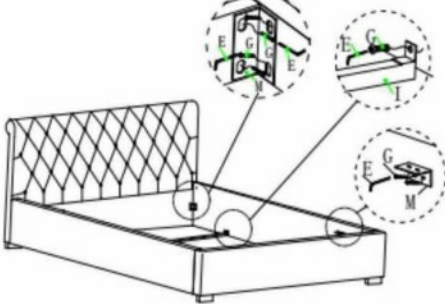
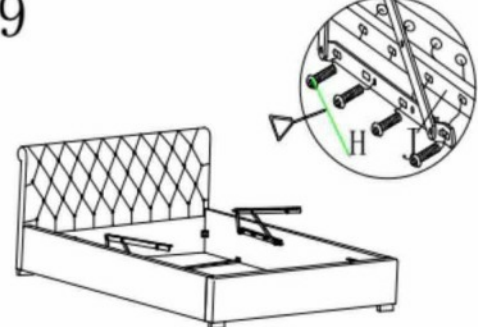






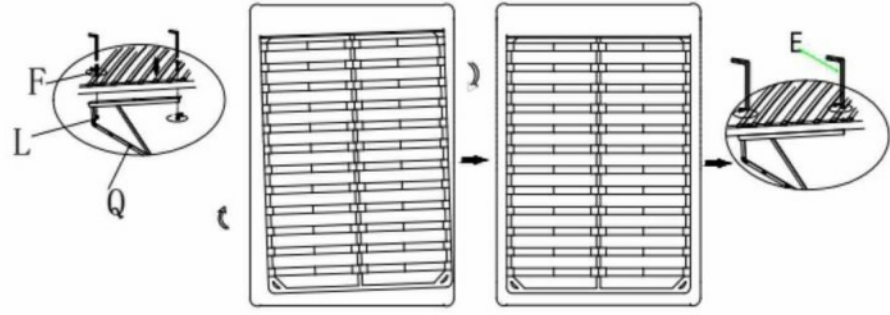




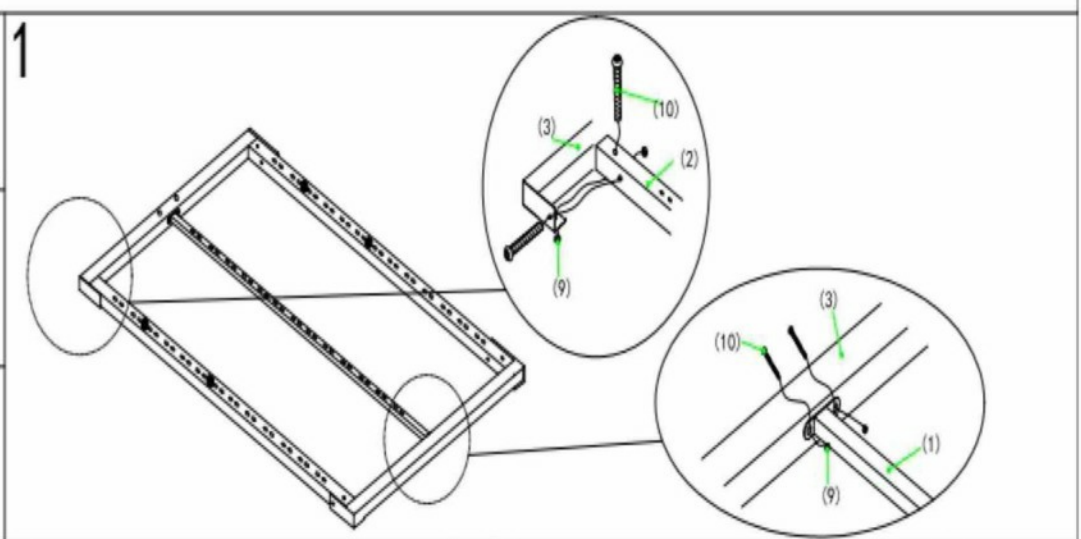


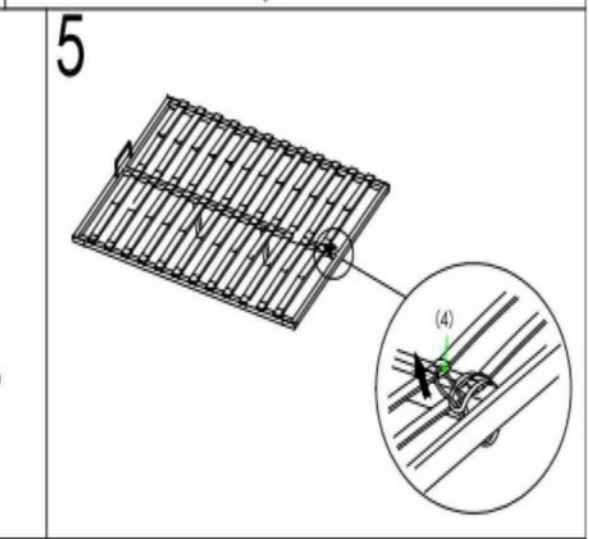
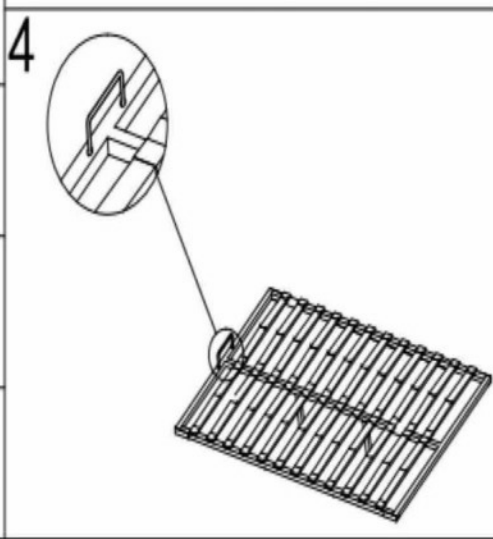
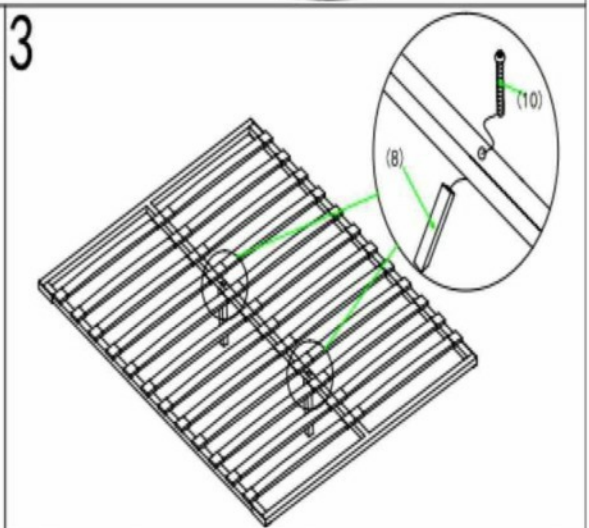
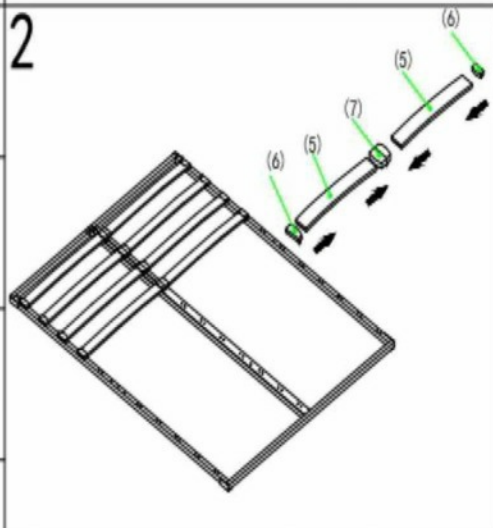
<p>Ax1</p> 	<p>Bx1</p> 	<p>6</p> 	<p>7</p> 
<p>Cx2</p> 	<p>Dx1</p> 		
<p>Ex1</p> 	<p>Fx8 (8*50)</p> 		
<p>Gx22 (8*20)</p> 	<p>Hx8 (8*40)</p> 	<p>8</p> 	<p>9</p> 
<p>Ix1</p> 	<p>Jx2</p> 		
<p>Kx1</p> 	<p>Lx4</p> 		
<p>Mx6</p> 	<p>Nx1</p> 	<p>10</p> 	
<p>Ox4 12x5x4cm</p> 	<p>Px2</p> 		
<p>Qx2</p> 	<p>Rx1</p> 		

200cm

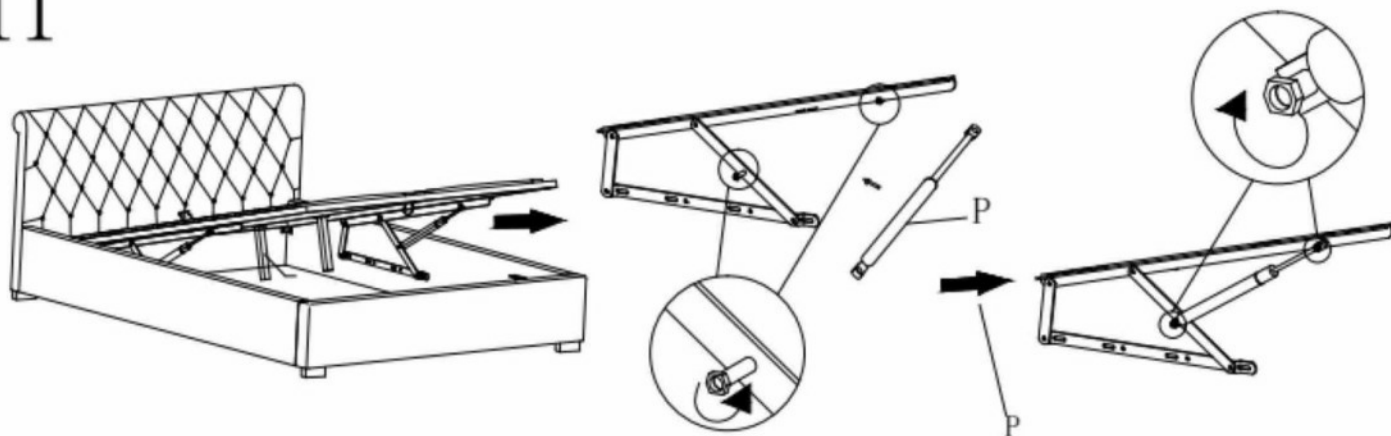
- (1) x1
- (2) x2
- (3) x2
- (4) x1
- (5) x36
- (6) x36



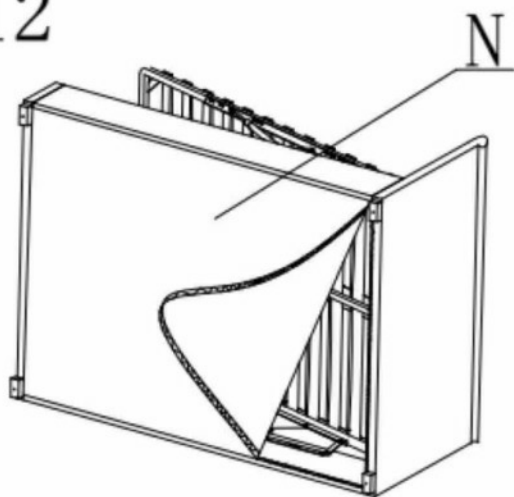
- (7) x18
- (8) x2
- (9) x12
- (10) x14 (8*45)
- (11) x1



11



12



13

