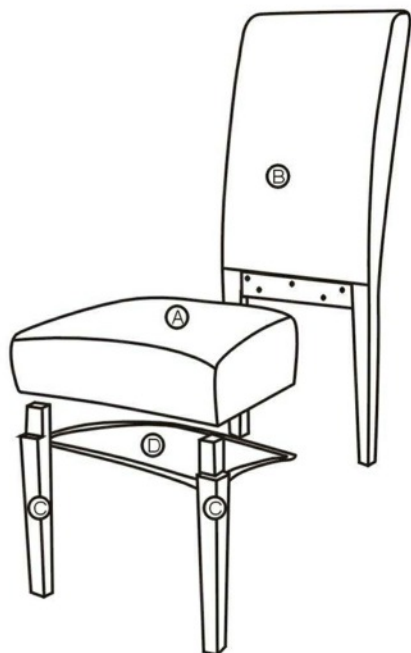


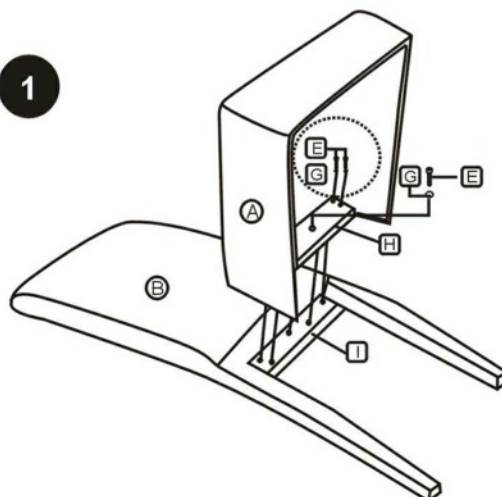
ARDON



E		X5
F		X4
G		X9
H		X1

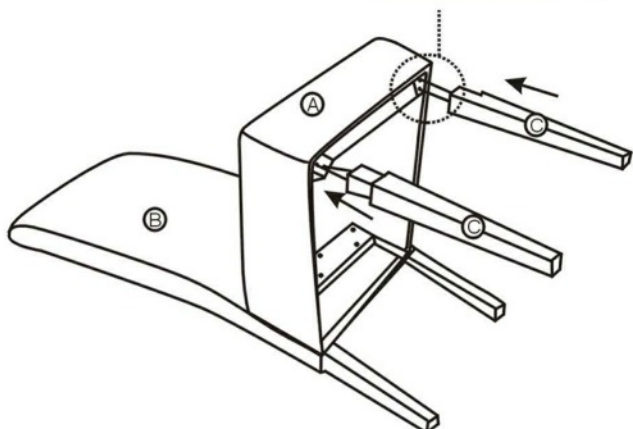
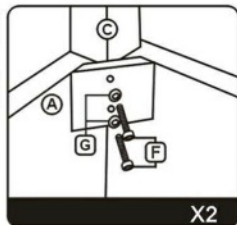
G		x 5
E		x 5

1



2

F		x4
G		x4



3

