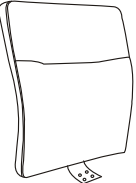


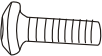
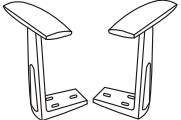
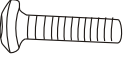
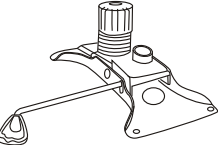
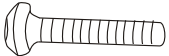

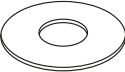
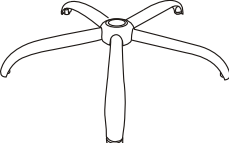




AX1 	GX5 
BX1 	HX4 
CX1(L)X(R) 	Ix6 
DX1 	Jx4 
Ex1 	Kx8 
FX1 	Lx6 
	Mx4 
	Nx1 