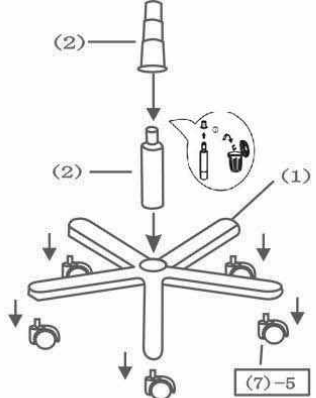
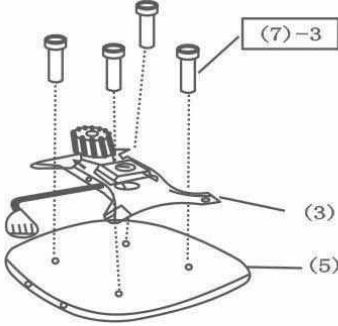
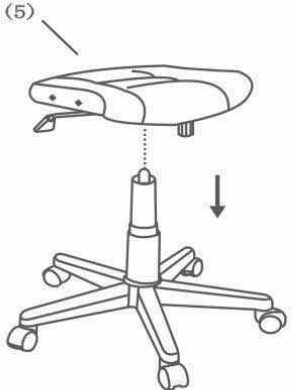







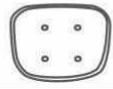



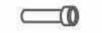




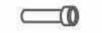




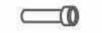




TC3-7741 NEW

(1)	(2)	(3)	1 	2 	3 																				
																									
(4)	(5)	(6)	4 	5 	6 																				
 <p>X2</p>																									
(7)	<table border="0"> <tr> <td>1.</td> <td></td> <td>X1</td> <td>5MM</td> </tr> <tr> <td>2.</td> <td></td> <td>X8</td> <td>(6X25)MM</td> </tr> <tr> <td>3.</td> <td></td> <td>X4</td> <td>(6X16)MM</td> </tr> <tr> <td>4.</td> <td></td> <td>X8</td> <td></td> </tr> <tr> <td>5.</td> <td></td> <td>X5</td> <td></td> </tr> </table>		1.		X1	5MM	2.		X8	(6X25)MM	3.		X4	(6X16)MM	4.		X8		5.		X5				
1.		X1	5MM																						
2.		X8	(6X25)MM																						
3.		X4	(6X16)MM																						
4.		X8																							
5.		X5																							
