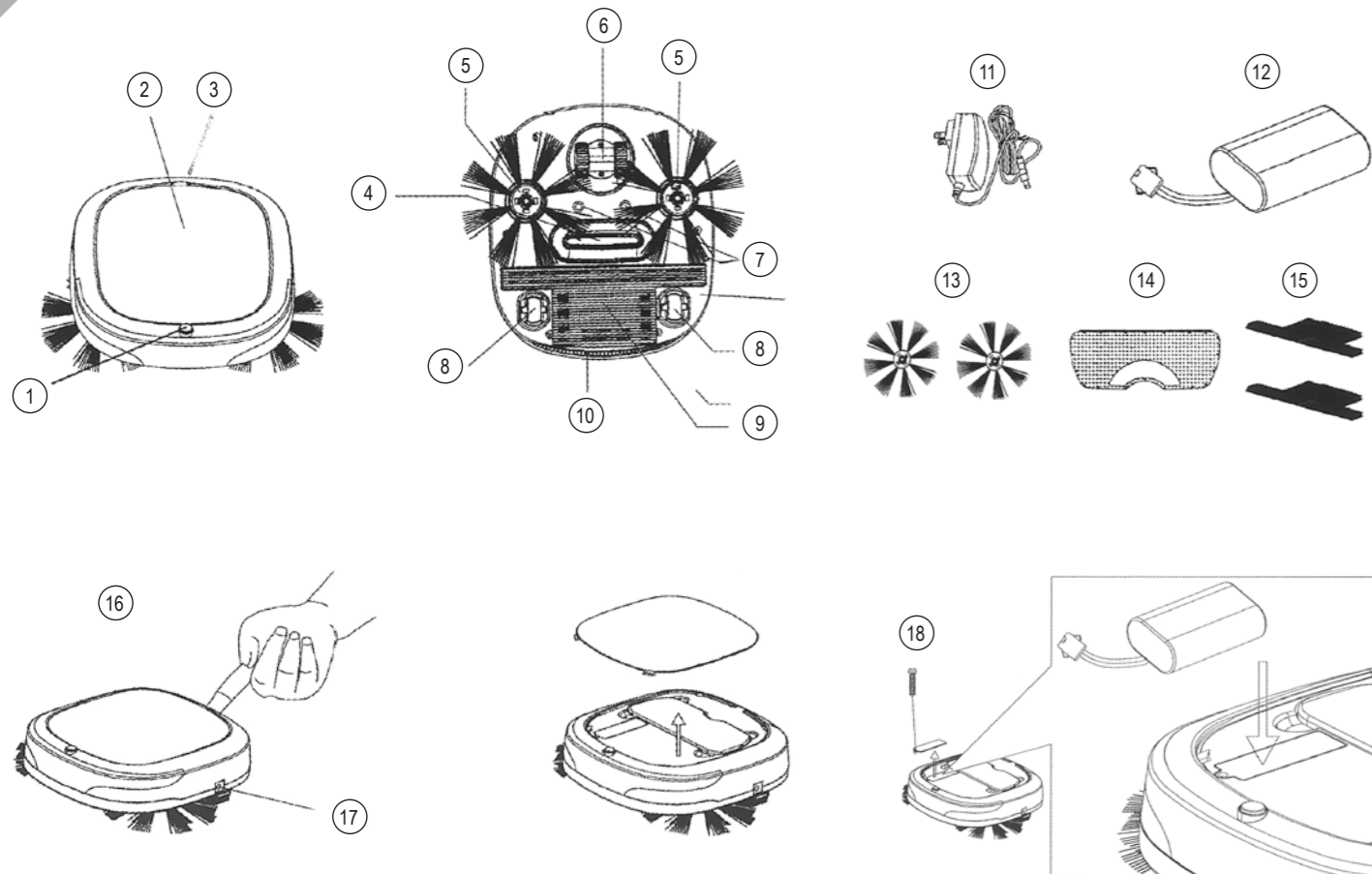


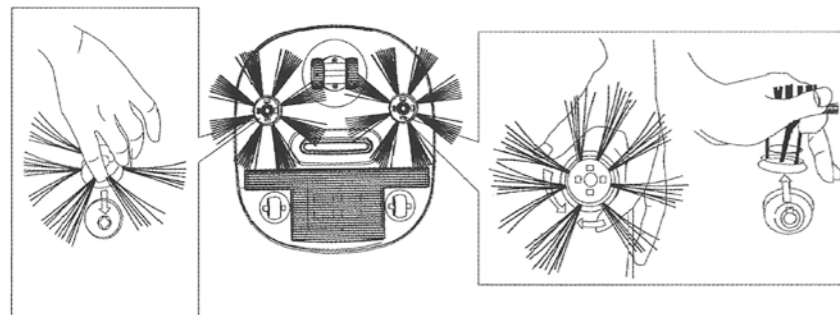
ROBOTIC VACUUM CLEANER • ROBOTPORSZÍVÓ • ROBOTICKÝ VYSÁVAČ • ASPIRATOR ROBOT

HG PS 01

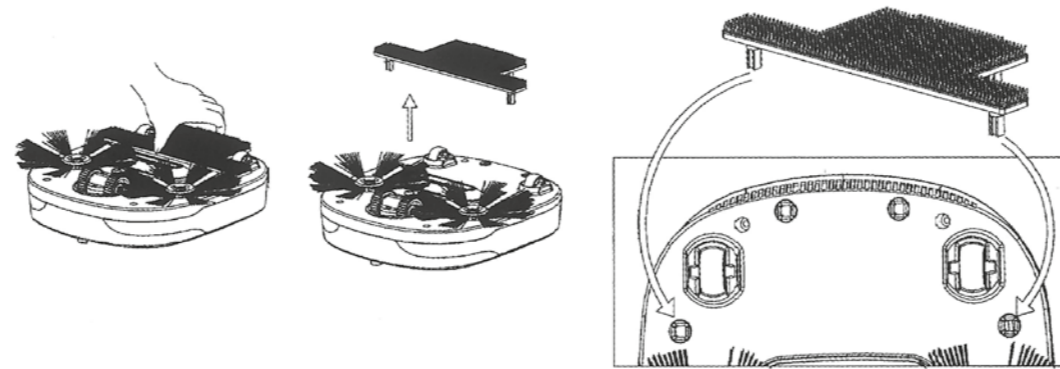


PARTS OF VACUUM CLEANER / A PORSZÍVÓ RÉSZEI / PÁRTILE PRODUSULUI			
1.	switch / charging indicator LED	kapcsoló / töltés LED	vypínač / LED nabíjania
2.	cover	fedél	kryt
3.	cover fixing	fedél rögzítés	upevnenie krytu
4.	sucking opening	szívó nyílás	sacți otvor
5.	rotating brush	forgó kefe	rotačná kefa
6.	steering wheel	kormánykerék	vodiace koliesko
7.	magnet	magnejt	magnet
8.	wheel	hátsó kerék	zadné koliesko
9.	cloth	törölkendő	prachovka
10.	air opening	levegő nyílás	otvor pre vzduch
11.	mains adapter	hálózati adapter	sieťový adaptér
12.	accumulator	akkumulátor	akumulátor
13.	rotating brush	forgó kefe	rotačná kefa
14.	filter	szűrő	filter
15.	cloth	törölkendő	prachovka
16.	removing cover	fedél eltávolítása	odnímanie krytu
17.	charging socket	töltő aljzat	zásuvka pre nabíjačku
18.	accumulator lid	akkumulátor fedél	kryt akumulátora

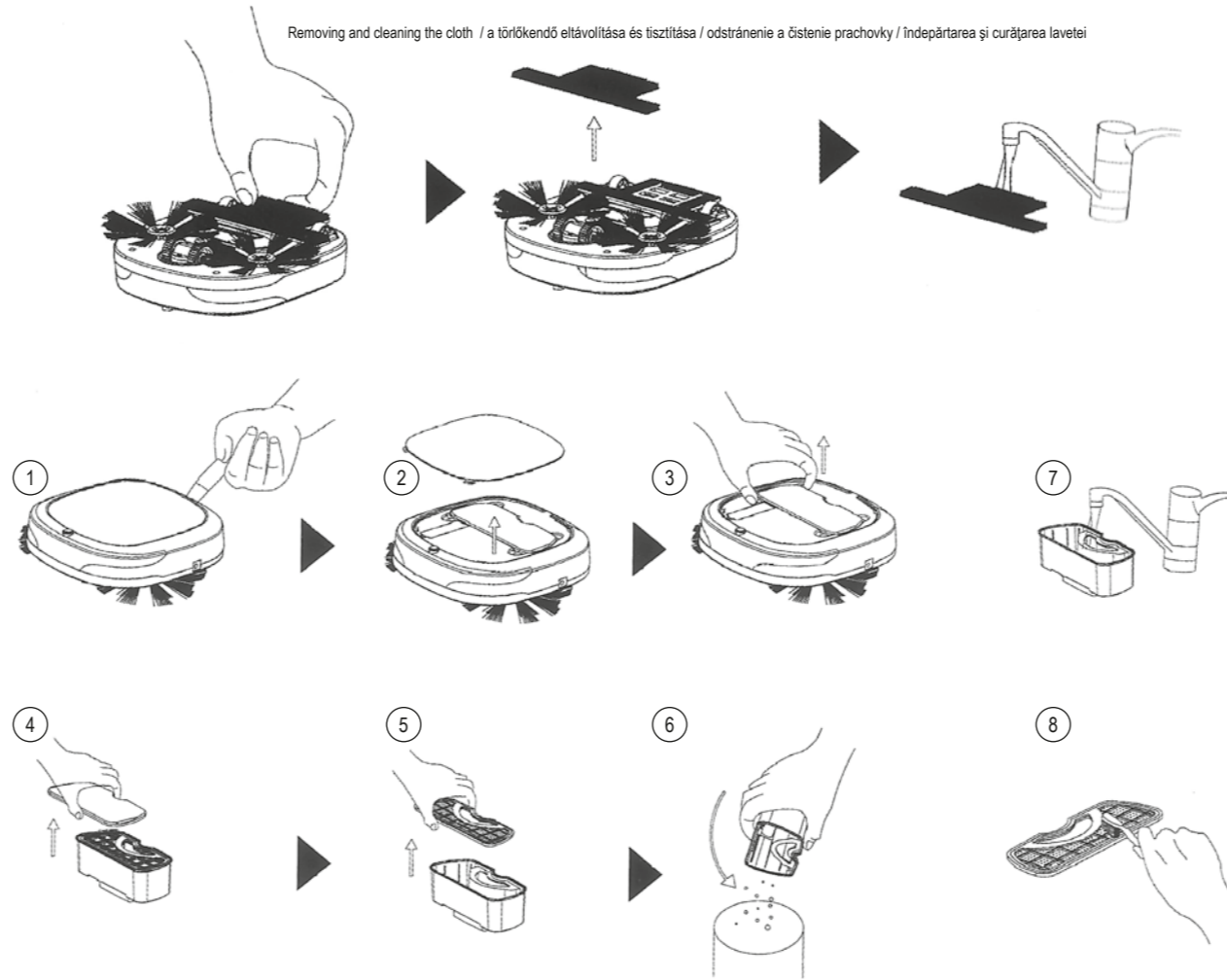
Attaching and removing rotating brush / a forgókefe felhelyezése és eltávolítása / montáz a demontáz rotacnej kefy / introducerea și îndepărtarea periei rotative



Attaching and removing cloth unit / a törölkendő egység felhelyezése és eltávolítása / montáz a demontáz násdacky prachovky / introducerea și îndepărtarea unității cu lavetă

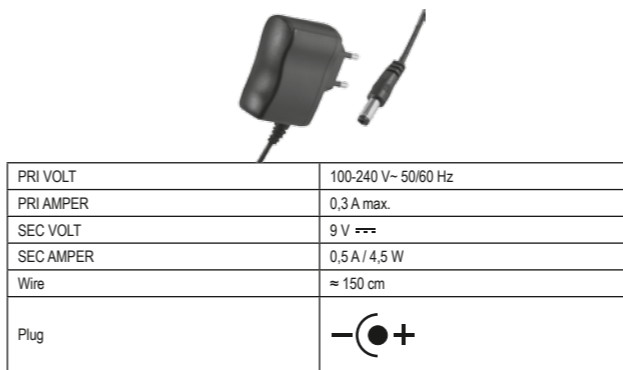


Removing and cleaning the cloth / a törölkendő eltávolítása és tisztítása / odstránenie a čistenie prachovky / îndepărtarea și curățarea lavetei



CLEANING AND USAGE / TISZTÍTÁS ÉS KARBANTARTÁS / ČISTENIE A ÚDRŽBA / CURĂȚARE ȘI ÎNȚEȚINERE				
1.	Open the cover with your finger.	Nyissa ki a fedelet az ujjával.	Prstom otvorte kryt.	Deschideți capacul cu degetul.
2.	Remove the cover.	Távolítsa el a fedelet.	Odoberte kryt.	Îndepărtați capacul.
3.	Insert your fingers to the openings and lift out the dust container.	Helyezze az ujjait a nyílásokba és emelje ki a tartályt.	Zasunutím prstov do otvorov vyberte nádržku.	Introduceți-vă degetele în orificii și îndepărtați recipientul de colectare.
4.	Take off the cover of the dust container.	Vegye le a tartály fedelét.	Odoberte kryt nádržky.	Îndepărtați capacul recipientului.
5.	Carefully remove the inner filter.	Óvatosan emelje ki a belső szűrőt.	Opatrne vyberte vnútorný filter.	Îndepărtați cu grijă filtrul interior.
6.	Empty the container.	Űritse ki a tartályt.	Nádržku vyprázdnite.	Goliți recipientul de colectare.
7.	Rinse the container with running water!	Folyó vízzel öblítse ki a tartályt.	Vypláchnite nádržku tečúcou vodou.	Clătiți recipientul cu apă.
8.	You can clean the filter gently with soft brush.	Puha kefével, gyéngéden tisztíthatja a szűrőt.	Filter opatne vyčistite mäkkou kefkou.	Puteți curăța filtrul cu atenție, cu o perie moale.

Charging time	≈ 3 hours
Operation time	≈ 70...90 min
Operation range	≈ 10-16 m ²
Dust compartment	≈ 0,35 l
Noise	≈ 55 dB
Suction	≈ 500 Pa
Machine power	≈ 7 W
Battery type	2 x 18650 Li-Po
Battery capacity	7,4 V / 1800 mAh
Dimensions	260 x 240 x 79 mm
Weight	1030 g



EN

Before using the product for the first time, please read the instructions for use below and retain them for later reference. The original instructions were written in the Hungarian language.

This appliance may only be used by persons with impaired physical, sensory or mental capabilities, or lacking in experience or knowledge, if they are under supervision or have been given instruction concerning use of the appliance and they have understood the hazards associated with use.

This appliance must not be used by children! Keep children away from the appliance and from its power cable! Children should not be allowed to play with the unit!

• **3in1 multi functions:** dust suction – sweeping – wiping • **For all kinds of surfaces:** floor – floor tiles – carpet • **Two-sided, rotating brushes** which are removable with on movement • **Washable microfibre cloths** • **Collects small metal objects** (clamps, needles, nails, ...) with magnets to prevent scratches on the floor • **Complements traditional cleaning methods** • **Extremely easy to handle and clean** • **Overload protection** • **Recommended area to clean occasionally approx. 10-16 m²** • **Cleaning time: approx. 70-90 minutes** • **Charging time: approx. 3 hours** • **Manual charging with mains adapter, included** • **Replaceable accumulator: 18650 / 1800 mAh Li-Po** • **Dimensions: 260 x 240 x 79 mm / 1030 g**

USAGE

Robotic vacuum cleaner is made for indoor, personal use at home, it is not an industrial device. It is intended to collect dust, dirt, crumbs, hair, animal hair... It is forbidden to hoover up liquids, rough dust, broken glass, hot ash or flammable materials. Application other than described here may cause material damage and personal injury!

It complements well, but doesn't replace the conventional cleaning methods on wooden floor, ceramic tile or short-fiber carpet surfaces. Generally it makes cleaning by focusing on 10-16 m² area. Its operation range and movement significantly depends on the features of the specified room. By using this device, it is rarely necessary to vacuum clean or sweep the room. It hovers up dust, sweeps and wipes at the same time. The sucking head delivers the dust lifted by the rotating brushes to the dust compartment, while the cloth will collect the rest of dirt. Following its principle of operation, it is less effective on carpet than on floor or ceramic tile. In the former case, the operating time may be shorter (70 to 90 minutes). It is not recommended to operate it on carpet with longer fibres, since the thicker carpet may be an obstacle. Before using it on carpet, remove the clothes and theirs „T” shape fixing surface. Use them only on hard floor! The magnets on the bottom raise and collect the smaller metal objects from the floor (e.g.: clamps, needs, nails), to prevent scratches.

Recommended application

1.	floor, tile, carpet	Hoovering	Rotating brushes and clothes are removed
2.	floor, tile, short-fibre carpet	Effective hoovering	Rotating brushes are attached, clothes are removed
3.	floor, tile floor	Hoovering and wiping	Clothes are attached
4.	floor, tile floor	Effective sweeping, hoovering and wiping	Rotating brushes and clothes are attached

OVERLOAD PROTECTION

If the rotating wheel is blocked because of some rubbish or electric wire or other reason, the power consumption of the device will increase and it will overload. Overloading protection will sense it and stops the vacuum-cleaner. After eliminating the cause of error, you can restart the unit.

PREPARING THE UNIT FOR CLEANING

Ensure the free movement of the device! Remove the easy-to-move, obstructive objects (wires, doormats, chairs...). Take care of fragile (ceramic, glass...) ornaments. Do not leave objects (such as broom leaned to the wall) on its route, which can be toppled causing accident or material damage. If there is carpet and floor as well in the room, first check if it is able to go up to the specified height carpet.

If necessary, disconnect parts of the room that you do not want to clean or which pose a risk to your device (e.g. stairs, thresholds ...)! Do not operate on a desk or in a place where it may fall. Remove any objects that may cause damage to the interior or exterior of the vacuum cleaner before use. Do not clean liquid or wet dirt with it. Can be operated on dry floors only! Pick up thick, soft, tapered carpets from the floor. If you want more effective cleaning in your room, close the doors or block them, for example with pillows or larger bags. Keep children and pets away from the work area!

INSTALLATION

During transit and storing, as well as after usage, the device has to be switched off, even if the accumulator is depleted and the device is not working. It should be stored charged up between two usages. If you do not use it for longer period, remove the previously charged accumulator!

Before the first use charge up the switched off vacuum cleaner for 12 hours, to reach longer lifetime of the battery. First connect the adapter to the mains outlet, then the connection cable to the vacuum cleaner! The LED built in to the switch will be lighting in red after charging has finished. Usually it indicates the charged status after 2,5-3 hours charging, but charge it more at the first time! When you have charged it, remove the adapter! In order to reach longer lifespan, store it charged when not in use. Accumulator will reach its maximum capacity after 3 cycles of charging. Depending on surface to be cleaned, the expected operation time is 70-90 minutes. The unit will stop working when the accumulator is depleted. Do not forget to switch it off, before you connect the charger! It is forbidden to charge it while it is on or when it is being operated.

STATUS, INDICATED BY THE LED

Device is switched on and working	LED is lighting in blue
Device is switched on but it will be discharged soon	LED is flashing in blue
Charging is in process	LED is flashing in red
Charging has finished	Continuous red lighting

TYPE OF ACCUMULATOR: 18650 x 2 Li-Po, 7,4 V – 1800 mAh
ATTENTION! RISK OF EXPLOSION IN CASE OF INCORRECT ACCUMULATOR REPLACEMENT! USE ONLY REPLACEMENT TYPE OR SAME TYPE TO REPLACE BATTERY! DO NOT EXPOSE IT TO DIRECT HEAT AND SUNSHINE AND DO NOT BURN IT! IF THERE IS SOME LIQUID FLOWN OUT, TAKE A PROTECTIVE GLOVE AND Wipe THE BATTERY COMPARTMENT WITH A DRY CLOTH! TAKE OUT THE BATTERY FROM THE REACH OF CHILDREN! IT IS FORBIDDEN TO OPEN, BURN AND SHORT CIRCUIT THE BATTERY! RISK OF EXPLOSION! IF THE LIFESPAN OF THE BATTERY IS ENDED, IT HAS TO BE HANDLED AS HAZARDOUS WASTE! IT CAN'T BE HANDLED TOGETHER WITH THE HOUSEHOLD WASTE! BATTERY CAN BE TAKE OUT AFTER REMOVING THE SMALL SCREW WHICH IS FIXING THE COVER.

robotic vacuum cleaner

CLEANING AND OPERATION

Check the appliance after each use, before you would start to charge it. Switch off the depleted vacuum cleaner by pressing its button. Adapter should be disconnected from the Hoover during maintenance. Remove and empty the dust compartment. It is recommended to rinse the filter with running water after every 2 or 3 weeks. The filter can be cleaned gently with a soft brush in water, in case of rough dirt. The dust compartment, inner filter and the microfibre cloth can be inserted back to the appliance when they are dry. Check it often, that the lower suction port is blocked and rotary brushes and wheels are free to move. Saturation of dust compartment reduces efficiency!

Remove the metal objects collected by the magnets, to avoid the scratching of surfaces. If the wiper cloth is not in its place, it can obstruct the rotating of wheels. Clothes can be used many times, if they are washed in warm water with soap. Dry it unfolded. Rotary brushes can be taken off by hands and cleaned with water. After a while they can lost their shape because of use. At that time immerse them to hot water for a few minutes and they got back their original shape. It is forbidden to use any tool to remove the accessories (rotary brushes, cover, dust compartment, filter, wiper cloth unit), since it may cause damage of the device. Vacuum cleaner is designed, so that daily maintenance can be managed by hands. Use dry cloth to clean the outer cover of the Hoover! It is forbidden to use any detergent! Avoid to get any liquids on the appliance or into it! It is forbidden to clean any of the accessories in washing machine or dishwasher! Cleaning can be done only by hands, gently in lukewarm water! Do not turn on the unit without the dust compartment and filter in their place. Do not immerse the vacuum cleaner to water!

TROUBLESHOOTING

IT DOESN'T HOOVERING THE DUST AND HAIR.

Dust compartment is full – the filter is clogged or not in place properly.

FIBERS OF ROTARY BRUSH ARE BENT, THEY CAN'T BE USED.

They were used on abrasive surface for a long time – place it into hot water for a few minutes, and it will get back its original shape.

APPLIANCE CAN NOT BE SWITCHED ON.

The accumulator is not in place properly or it is depleted – check its connector after removing the cover and charge it up.

THE VACUUM CLEANER IS ROTATING IN ONE POSITION, IT DOESN'T MOVE AWAY.

The floor is wet, or the wiper cloth is wet / the magnet collected too many metal objects / the wiper cloth unit is not fixed properly / the cloth is not removed in case of carpet cleaning.

WARNINGS

• Please read this manual carefully before use and keep it for further reference! • Protect it from dust, humidity, liquids, heat, wet, frost and shocks as well as from direct sunshine and heat radiation! Only for indoor use, in a dry place! • Do not use it in vicinity of burning fireplace or other heat source! • Do not expose the device to splashing water and do not place objects filled with water (e.g. a glass on the top of it) • Open source of flame e.g. lighting candle can not be placed on the device! • If you do not use it for longer period, remove the accumulator! • Do not touch the adapter or the connection cable with wet hands! If they are damaged, power off the unit immediately! • The appliance should be located so as to allow easy access and removal of the adapter! • Do not use adapter other than the included one! In case of any damage or failure, ask for a same type from the manufacturer's service facility to replace it! • If you see any cracking or damages on the vacuum cleaner, do not use and power it off! • Warning! Don't use in falling-hazard location! The unit can fall down from desk and stairs! • Do not allow any person or pet to step or to sit on the vacuum cleaner! Do not place any objects on it! • Make sure that it can't catch any hanging rope, curtain, wire and similar objects! • Turn off immediately if you hear strange noise or sense an emergency situation. • The vacuum cleaner is not a toy, keep it away from children! • Do not cover and do not obstruct the free circulation of air in other way! • It is forbidden to disassemble and / or modify it in a different way than that is specified in this manual! • The warranty is not applicable to damage caused by irresponsible or improper installation or use! • This product is made for household use, it is not an industrial device. • If the lifespan of the product has ended, it becomes hazardous waste. It has to be handled according to the local prescriptions. • Due to continuous improvements, the technical data and design may change without any prior notice. • We don't take the responsibility for printing errors which may occur, and apologize for them.



Caution: Risk of electric shock! Do not attempt to disassemble or modify the unit or its accessories. In case any part is damaged, immediately power off the unit and seek the assistance of a specialist.



In the event that the power cable should become damaged, it should only be replaced with cables obtained from the manufacturer or its service facility.



Waste equipment must not be collected separately or disposed of with household waste because it may contain components hazardous to the environment or health. Used or waste equipment may be dropped off free of charge at the point of sale, or at any distributor which sells equipment of identical nature and function. Dispose of product at a facility specializing in the collection of electronic waste. By doing so, you will protect the environment as well as the health of others and yourself. If you have any questions, contact the local waste management organization. We shall undertake the tasks pertinent to the manufacturer as prescribed in the relevant regulations and shall bear any associated costs arising.

DISPOSING OF ALKALINE AND RECHARGEABLE BATTERIES

Batteries, whether alkaline or rechargeable, must not be handled together with regular household waste. It is the legal obligation of the product's user to dispose of batteries at a nearby collection center or at a retail shop. This ensures that the batteries are ultimately neutralized in an environment-friendly way.

