

## 2. Specifications

Model			GWHD(36)NK600(LC)(LH)	
Product Code			CB228W14700	
Power Supply	Rated Voltage	V~	220-240	
	Rated Frequency	Hz	50	
	Phases		1	
Cooling Capacity		W	10.6	
Heating Capacity		W	12	
Cooling Power Input		W	3	
Heating Power Input		W	3.04	
Cooling Current Input		A	13.31	
Heating Current Input		A	13.49	
Rated Power Input		W	Cooling: 4.6 / Heating: 5.0	
Rated Current		A	Cooling: 20.41 / Heating: 21.74	
EER		W/W	3.53	
COP		W/W	3.95	
Outdoor Unit	Compressor Trademark		ZHUHAI LANDA COMPRESSOR CO., LTD.	
	Compressor Model		QXFS-D280zX070C	
	Compressor Refrigerant Oil Type		FW68DA or equivalent	
	Compressor Type		Twin Rotary	
	L.R.A		A	40
	Compressor Rated Load Amp (RLA)		A	/
	Compressor Power Input		W	2294
	Compressor Thermal Protector			KSD115°C HPC115/95U1
	Throttling Method			Electron expansion valve
	Cooling Operation Ambient Temperature Range		°C	-15~43
	Heating Operation Ambient Temperature Range		°C	-22~24
	Condenser Material			Aluminum Fin-copper Tube
	Condenser Pipe Diameter		mm	Φ7.94
	Rows-Fin Gap(mm)		mm	2-1.4
	Coil length (L) X Height (H) X Coil width (W)		mm	1066×792×38.1
	Fan Motor Speed (rpm) (H/M/L)		rpm	Cooling: 800 / Heating: 860
	Output of Fan Motor		W	130
	Fan Motor RLA		A	/
	Fan Motor Capacitor		μF	/
	Air Flow Volume of Outdoor Unit		m <sup>3</sup> /h	5800
	Fan Type-Piece			Axial-flow
	Fan Diameter-Height		mm	550-205
	Defrosting Method			Automatic Defrosting
	Climate Type			T1
	Isolation			I
	Moisture Protection			IPX4
	Permissible Excessive Operating Pressure for the Discharge Side		MPa	4.3
	Permissible Excessive Operating Pressure for the Suction Side		MPa	2.5
	Dimension (WXDXH)		mm	1020×427×826
	Dimension of Carton Box (LXWXH)		mm	1090×494×870
	Dimension of Package (LXWXH)		mm	1093×497×885
	Net Weight		kg	72
Gross Weight		kg	79	
Refrigerant			R32	
Refrigerant Charge		kg	2.4	

## 2. Specifications

Outdoor Unit	Cross-sectional Area of Power Cable Conductor	mm <sup>2</sup>	4
	Recommended Power Cable(Core)	N	3
	Connection Pipe Connection Method		Flare Connection
	Not Additional Gas Connection Pipe Length	m	40
	Connection Pipe Gas Additional Charge	g/m	20
	Outer Diameter of Liquid Pipe1	inch	1/4
	Outer Diameter of Gas Pipe1	inch	3/8
	Outer Diameter of Liquid Pipe2	inch	1/4
	Outer Diameter of Gas Pipe2	inch	3/8
	Outer Diameter of Liquid Pipe3	inch	1/4
	Outer Diameter of Gas Pipe3	inch	3/8
	Outer Diameter of Liquid Pipe4	inch	1/4
	Outer Diameter of Gas Pipe4	inch	3/8
	Outer Diameter of Liquid Pipe5	inch	/
	Outer Diameter of Gas Pipe5	inch	/
	Connection Pipe Max. Height Distance (Indoor and Indoor)	m	25
	Max. equivalent connection pipe length	m	25
	Connection Pipe Max. Length Distance (total length)	m	80

The above data is subject to change without notice; please refer to the nameplate of the unit.

## 2. Specifications

Model			GWHD(42)NK600(LC)(LH)	
Product Code			CB228W14900	
Power Supply	Rated Voltage	V~	220-240	
	Rated Frequency	Hz	50	
	Phases		1	
Cooling Capacity		W	12.1	
Heating Capacity		W	13	
Cooling Power Input		W	3.4	
Heating Power Input		W	3.19	
Cooling Current Input		A	15.08	
Heating Current Input		A	14.15	
Rated Power Input		W	Cooling: 4.6 / Heating: 5.0	
Rated Current		A	Cooling: 20.41 / Heating: 21.74	
EER		W/W	3.56	
COP		W/W	4.08	
Outdoor Unit	Compressor Trademark		ZHUHAI LANDA COMPRESSOR CO., LTD.	
	Compressor Model		QXFS-D280zX070C	
	Compressor Refrigerant Oil Type		FW68DA or equivalent	
	Compressor Type		Twin Rotary	
	L.R.A		A	40
	Compressor Rated Load Amp (RLA)		A	/
	Compressor Power Input		W	2294
	Compressor Thermal Protector			KSD115°C HPC115/95U1
	Throttling Method			Electron expansion valve
	Cooling Operation Ambient Temperature Range		°C	-15~43
	Heating Operation Ambient Temperature Range		°C	-22~24
	Condenser Material			Aluminum Fin-copper Tube
	Condenser Pipe Diameter		mm	Φ7.94
	Rows-Fin Gap(mm)		mm	2-1.4
	Coil length (L) X Height (H) X Coil width (W)		mm	1066×792×38.1
	Fan Motor Speed (rpm) (H/M/L)		rpm	Cooling: 800 / Heating: 860
	Output of Fan Motor		W	130
	Fan Motor RLA		A	/
	Fan Motor Capacitor		μF	/
	Air Flow Volume of Outdoor Unit		m <sup>3</sup> /h	5800
	Fan Type-Piece			Axial-flow
	Fan Diameter-Height		mm	550-205
	Defrosting Method			Automatic Defrosting
	Climate Type			T1
	Isolation			I
	Moisture Protection			IPX4
	Permissible Excessive Operating Pressure for the Discharge Side		MPa	4.3
	Permissible Excessive Operating Pressure for the Suction Side		MPa	2.5
	Dimension (WXDXH)		mm	1020×427×826
	Dimension of Carton Box (LXWXH)		mm	1090×494×870
	Dimension of Package (LXWXH)		mm	1093×497×885
	Net Weight		kg	73
Gross Weight		kg	80	
Refrigerant			R32	
Refrigerant Charge		kg	2.4	

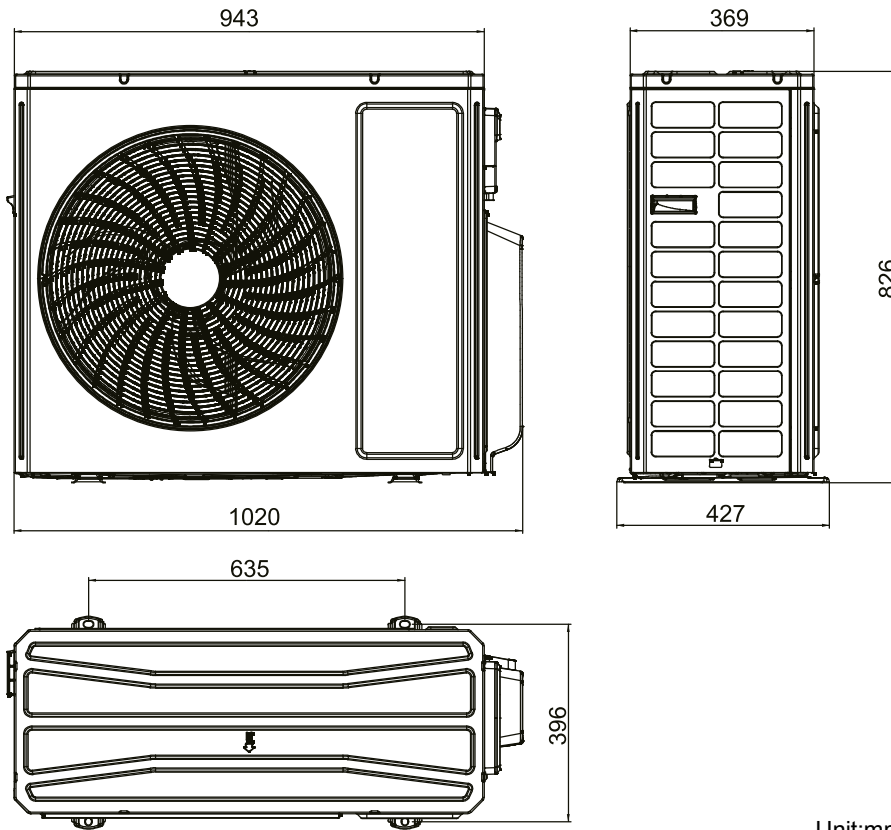
## 2. Specifications

Outdoor Unit	Cross-sectional Area of Power Cable Conductor	mm <sup>2</sup>	4
	Recommended Power Cable(Core)	N	3
	Connection Pipe Connection Method		Flare Connection
	Not Additional Gas Connection Pipe Length	m	50
	Connection Pipe Gas Additional Charge	g/m	20
	Outer Diameter of Liquid Pipe1	inch	1/4
	Outer Diameter of Gas Pipe1	inch	3/8
	Outer Diameter of Liquid Pipe2	inch	1/4
	Outer Diameter of Gas Pipe2	inch	3/8
	Outer Diameter of Liquid Pipe3	inch	1/4
	Outer Diameter of Gas Pipe3	inch	3/8
	Outer Diameter of Liquid Pipe4	inch	1/4
	Outer Diameter of Gas Pipe4	inch	3/8
	Outer Diameter of Liquid Pipe5	inch	1/4
	Outer Diameter of Gas Pipe5	inch	3/8
	Connection Pipe Max. Height Distance (Indoor and Indoor)	m	25
	Max. equivalent connection pipe length	m	25
	Connection Pipe Max. Length Distance (total length)	m	100

The above data is subject to change without notice; please refer to the nameplate of the unit.

# 3. Outline Dimension Diagram

GWHD(36)NK600(LC)(LH)    GWHD(36)NK600(LC)  
GWHD(42)NK600(LC)(LH)    GWHD(42)NK600(LC)



Unit:mm