

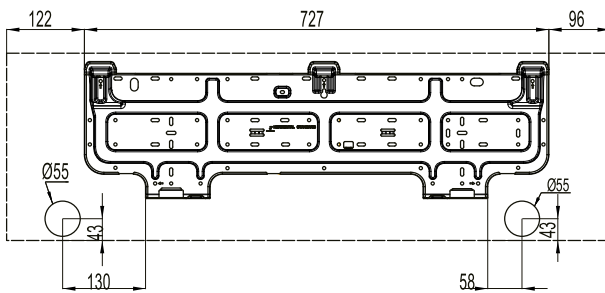
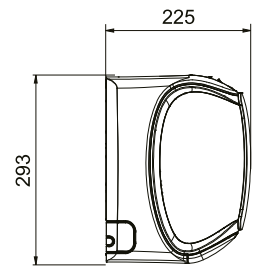
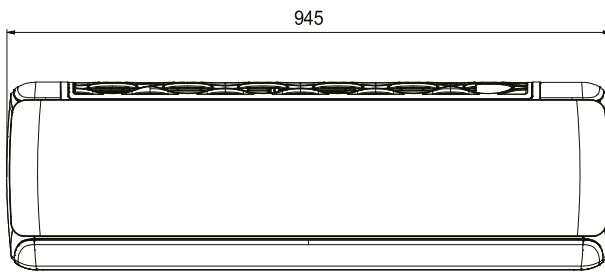
Model			GWH12AECXD-K6DNA1A	
Product Code			CB370001600	
Power Supply	Rated Voltage	V~	220-240	
	Rated Frequency	Hz	50/60	
	Phases		1	
Power Supply Mode			Outdoor	
Cooling Capacity		W	3500	
Heating Capacity		W	3810	
Cooling Power Input		W	875	
Heating Power Input		W	952	
Cooling Current Input		A	3.73	
Heating Current Input		A	/	
Rated Input		W	1650	
Rated Cooling Current		A	6.21	
Rated Heating Current		A	7.32	
Air Flow Volume		m ³ /h	750/650/600/510/470/360/200/150	
Dehumidifying Volume		L/h	1.4	
EER		W/W	4.0	
COP		W/W	4.0	
SEER		W/W	8.5	
SCOP(Average/WarmerColder)		W/W	4.6/5.5/3.5	
Application Area		m ²	16-24	
Indoor Unit	Model		GWH12AECXD-K6DNA1A/I	
	Product Code		CB370N01600	
	Fan Type		Cross-flow	
	Fan Diameter Length(DXL)		mm	Φ98X633.5
	Cooling Speed		r/min	1350/1200/1100/1000/850/600/550/500
	Heating Speed		r/min	1350/1200/1120/1050/950/800/750
	Fan Motor Power Output		W	10
	Fan Motor RLA		A	0.09
	Fan Motor Capacitor		μF	/
	Evaporator Form			Aluminum Fin-copper Tube
	Evaporator Pipe Diameter		mm	Φ5
	Evaporator Row-fin Gap		mm	2-1.4
	Evaporator Coil Length (LXDXW)		mm	634X22.8X304.8
	Swing Motor Model			MP35CN/MP30AS/MP35CN/MP20AC
	Swing Motor Power Output		W	2.5/2.5/1.5
	Fuse Current		A	3.15
	Sound Pressure Level		dB (A)	Cooling:43/39/36/33/28/22/21/20 Heating:43/40/37/35/32/27/26/-
	Sound Power Level		dB (A)	Cooling:58/53/50/47/42/36/35/34 Heating:58/54/51/49/46/41/40/-
	Dimension (WXHXD)		mm	945X293X225
	Dimension of Carton Box (LXWXH)		mm	1032X381X310
Dimension of Package (LXWXH)		mm	1035X384X325	
Net Weight		kg	14	
Gross Weight		kg	17	

Outdoor Unit	Outdoor Unit Model		GWH12AECXD-K6DNA1A/O
	Outdoor Unit Product Code		CB370W01600
	Compressor Manufacturer		ZHUHAI LANDA COMPRESSOR CO., LTD
	Compressor Model		FTz-AN108ACBD
	Compressor Oil		FW68DA or equivalent
	Compressor Type		Rotary
	Compressor LRA.	A	/
	Compressor RLA	A	4.40
	Compressor Power Input	W	/
	Compressor Overload Protector		/
	Throttling Method		Electron expansion valve
	Set Temperature Range	°C	16~30
	Cooling Operation Ambient Temperature Range	°C	-15~43
	Heating Operation Ambient Temperature Range	°C	-22~24
	Condenser Form		Aluminum Fin-copper Tube
	Condenser Pipe Diameter	mm	Φ7
	Condenser Rows-fin Gap	mm	2-1.4
	Condenser Coil Length (LXDXW)	mm	761.5X38.1X528
	Fan Motor Speed	rpm	810
	Fan Motor Power Output	W	30
	Fan Motor RLA	A	0.40
	Fan Motor Capacitor	μF	/
	Outdoor Unit Air Flow Volume	m ³ /h	2200
	Fan Type		Axial-flow
	Fan Diameter	mm	Φ420
	Defrosting Method		Automatic Defrosting
	Climate Type		T1
	Isolation		I
	Moisture Protection		IPX4
	Permissible Excessive Operating Pressure for the Discharge Side	MPa	4.3
	Permissible Excessive Operating Pressure for the Suction Side	MPa	2.5
	Sound Pressure Level (H/M/L)	dB (A)	52/-/-
	Sound Power Level (H/M/L)	dB (A)	62/-/-
Dimension(WXHXD)	mm	802X555X350	
Dimension of Carton Box (LXWXH)	mm	869X350X594	
Dimension of Package(LXWXH)	mm	872X872X872	
Net Weight	kg	29	
Gross Weight	kg	31.5	
Refrigerant		R32	
Refrigerant Charge	kg	0.8	
Connection Pipe	Connection Pipe Length	m	5
	Connection Pipe Gas Additional Charge	g/m	16
	Outer Diameter Liquid Pipe	inch	1/4"
	Outer Diameter Gas Pipe	inch	3/8"
	Max Distance Height	m	10
	Max Distance Length	m	20
	Note: The connection pipe applies metric diameter.		

The above data is subject to change without notice. Please refer to the nameplate of the unit.

3. Outline Dimension Diagram

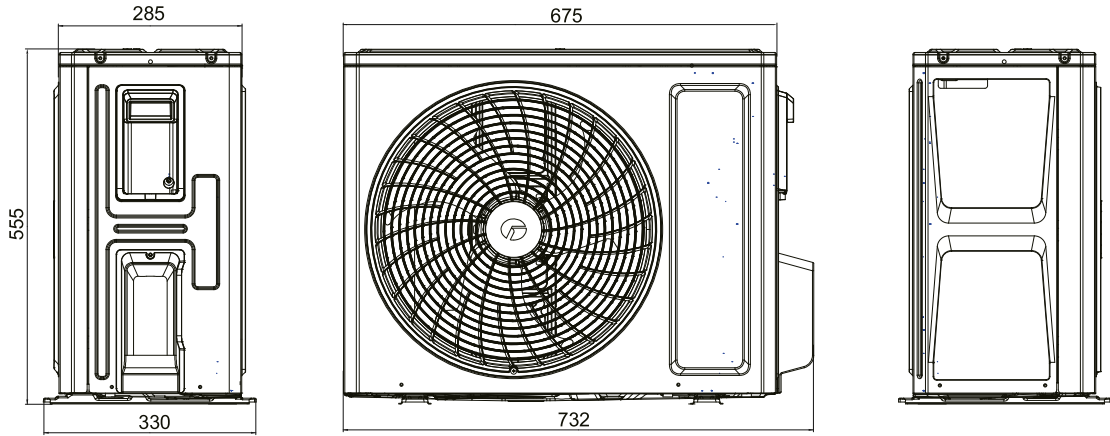
3.1 Indoor Unit



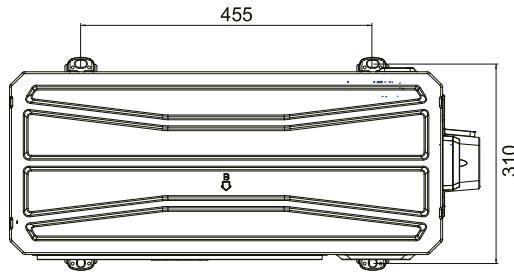
Unit:mm

3.2 Outdoor Unit

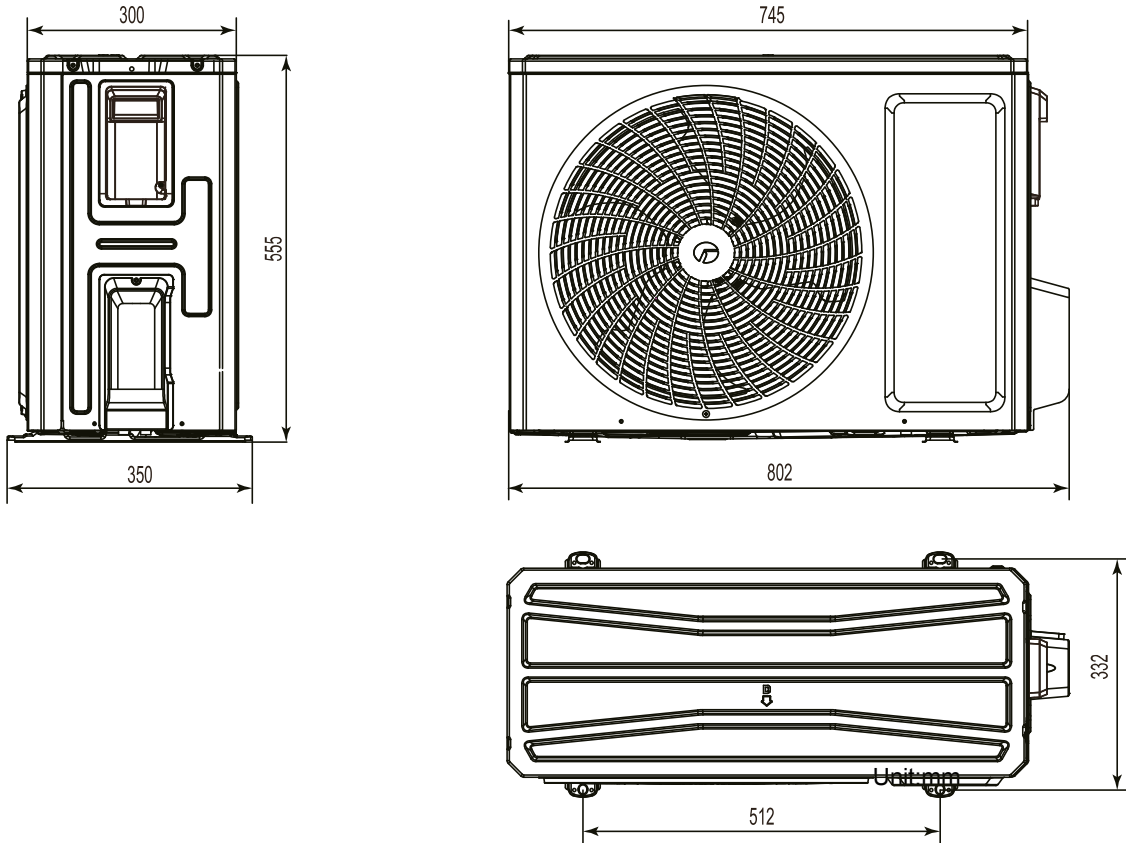
GWH09AECXB-K6DNA1A/O



Unit:mm



GWH12AECXD-K6DNA1A/O



Unit:mm